



From

here

To here

BIBLICAL SURVEY: Old Testament

Introduction to Psalms (With a nod to Psalm 145)

Biblical-Literacy.com

© Copyright 2011 by Mark Lanier. Permission hereby granted to reprint this document in its entirety without change, with reference given, and not for financial profit.

Miss Noack English



Poems

Poems

Form

Poems

Form

Word play

Poems

Form

Word play

Hebrew Poems

Poems

Form



Hebrew Poems

Chiasm

Parallelism

Word play

Poems

Form



Hebrew Poems

Chiasm

Parallelism

Word play



Puns

Alliteration

But not rhymes

Psalm 67

- 1** May God be gracious to us and bless us
and make his face to shine upon us,
- 2** That your way may be known on earth, your
saving power among all nations.
- 3** Let the peoples praise you, O God; let
all the peoples praise you!
- 4** Let the nations be glad and sing for joy, for you
judge the people with equity and guide the
nations upon the earth.
- 5** Let the peoples praise you, O God;
let all the peoples praise you!
- 6** The earth has yielded its increase; God, our
God, shall bless us.
- 7** God shall bless us; let all the ends
of the earth fear him!

- 1 May God be gracious to us and bless us
and make his face to shine upon us,
- 2 That your way may be known on earth, your
saving power among all nations.
- 3 Let the peoples praise you, O God; let
all the peoples praise you!
- 4 Let the nations be glad and sing for joy, for you
judge the people with equity and guide the
nations upon the earth.
- 5 Let the peoples praise you, O God;
let all the peoples praise you!
- 6 The earth has yielded its increase; God, our
God, shall bless us.
- 7 God shall bless us; let all the ends
of the earth fear him!

1 May God be gracious to us and bless us
and make his face to shine upon us,

2 That your way may be known on earth, your
saving power among all nations.

3 Let the peoples praise you, O God; let
all the peoples praise you!

4 Let the nations be glad and sing for joy, for you
judge the people with equity and guide the
nations upon the earth.

5 Let the peoples praise you, O God;
let all the peoples praise you!

6 The earth has yielded its increase; God, our
God, shall bless us.

7 God shall bless us; let all the ends
of the earth fear him!

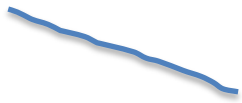
- 1 May God be gracious to us and bless us
and make his face to shine upon us,
- 2 That your way may be known on earth, your
saving power among all nations.
- 3 Let the peoples praise you, O God; let
all the peoples praise you!
- 4 Let the nations be glad and sing for joy, for you
judge the people with equity and guide the
nations upon the earth.
- 5 Let the peoples praise you, O God;
let all the peoples praise you!
- 6 The earth has yielded its increase; God, our
God, shall bless us.
- 7 God shall bless us; let all the ends
of the earth fear him!

- 1 May God be gracious to us and bless us
and make his face to shine upon us,
- 2 That your way may be known on earth, your
saving power among all nations.
- 3 Let the peoples praise you, O God; let
all the peoples praise you!
- 4 Let the nations be glad and sing for joy, for you
judge the people with equity and guide the
nations upon the earth.
- 5 Let the peoples praise you, O God;
let all the peoples praise you!
- 6 The earth has yielded its increase; God, our
God, shall bless us.
- 7 God shall bless us; let all the ends
of the earth fear him!

Psalm 70

*Vah ani ani vah
evyon*

Lead the
worshipper

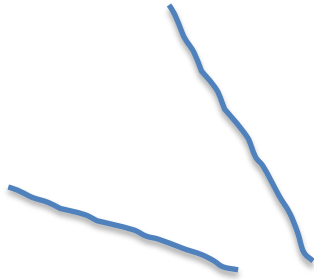


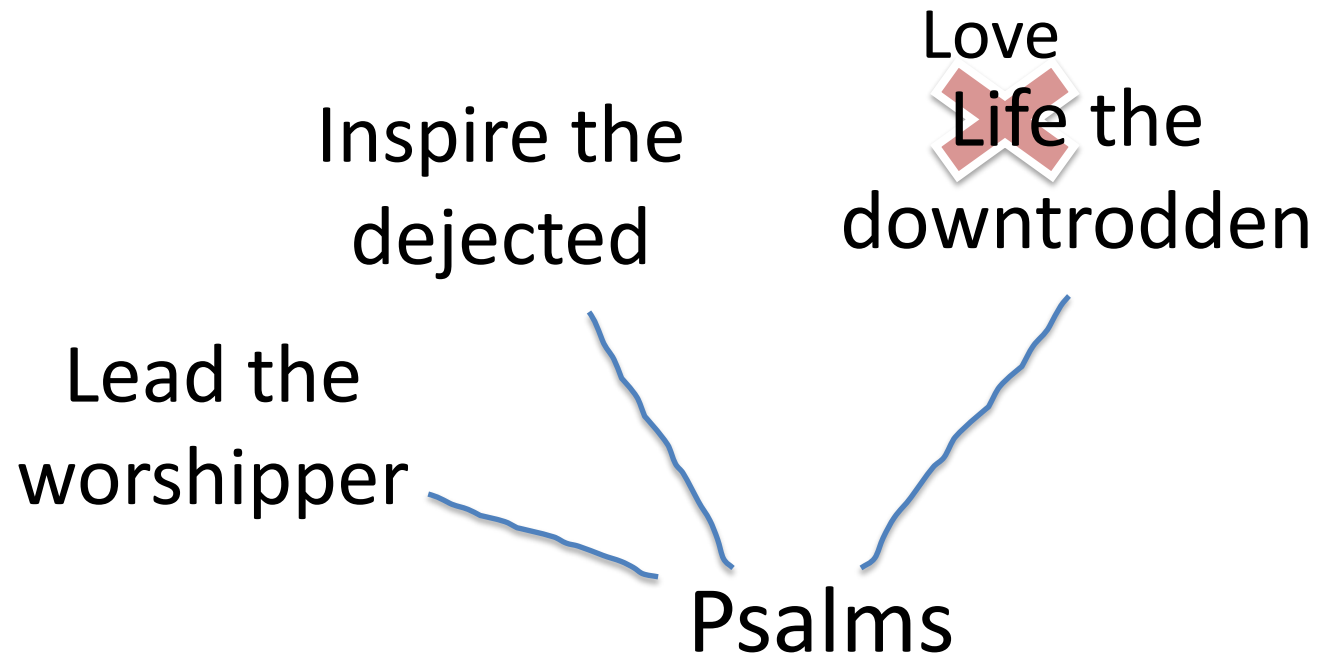
Psalms

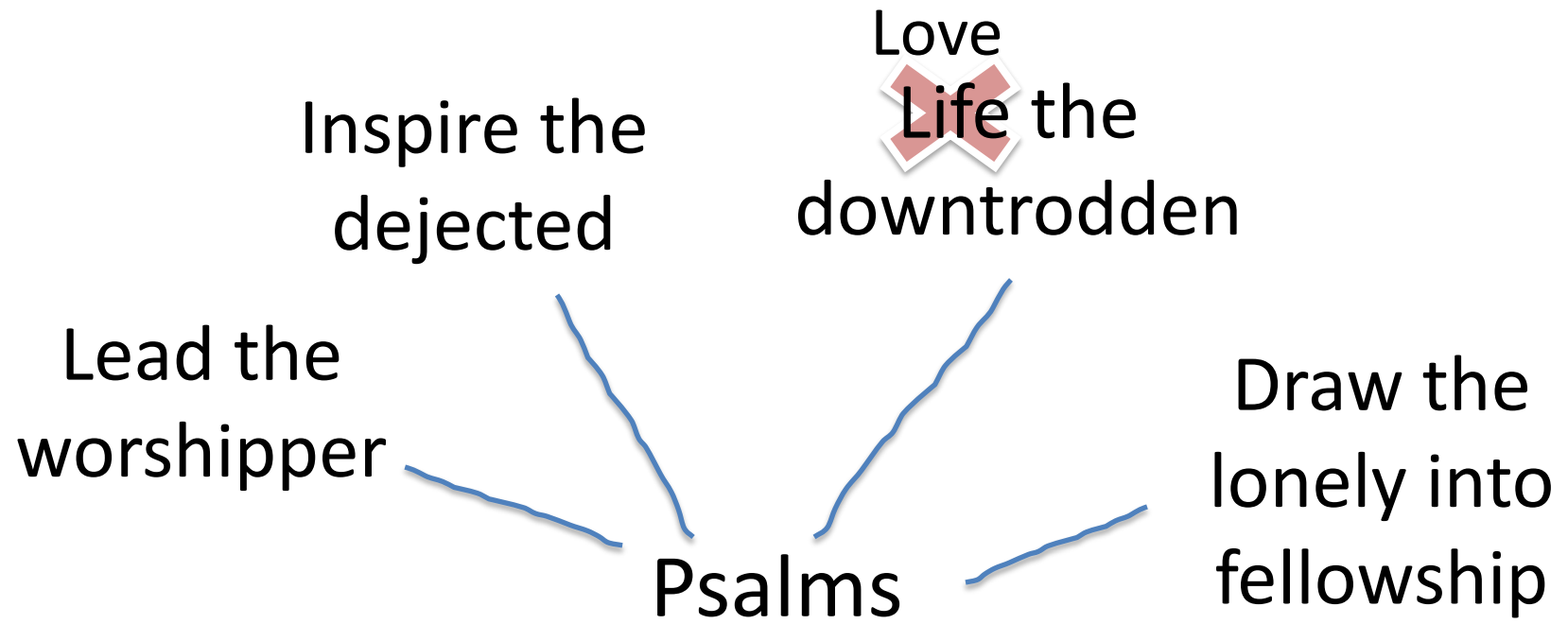
Inspire the
dejected

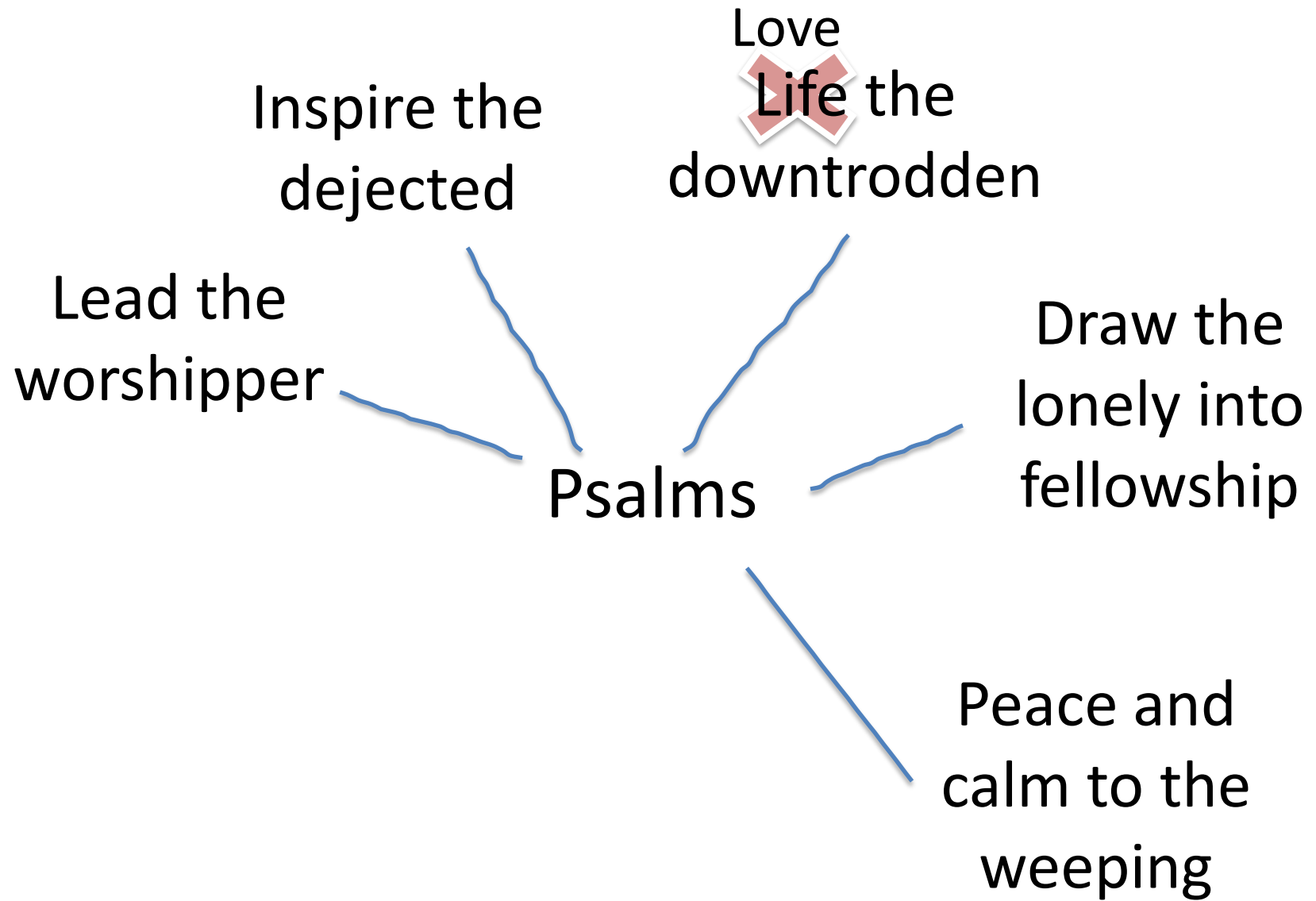
Lead the
worshipper

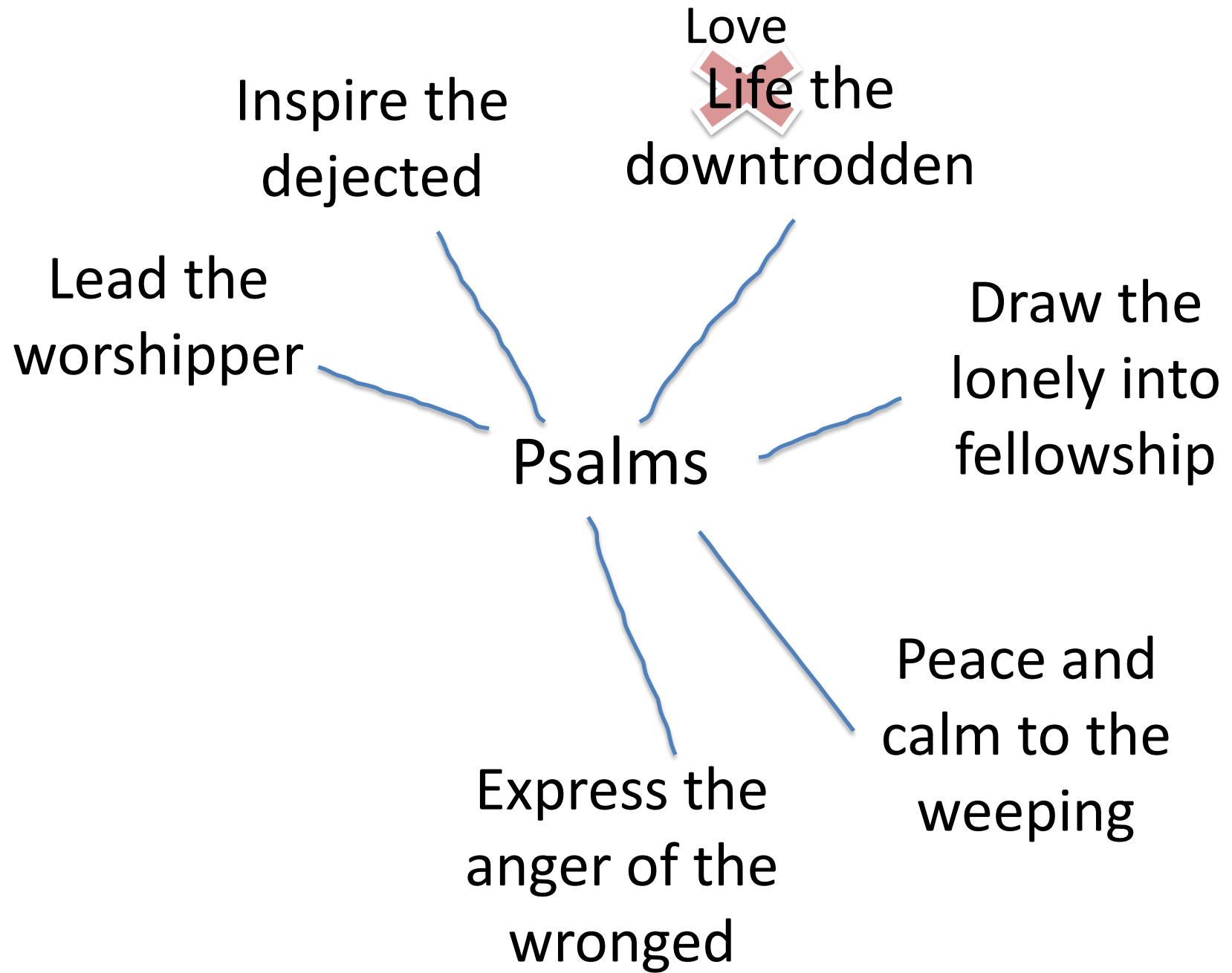
Psalms

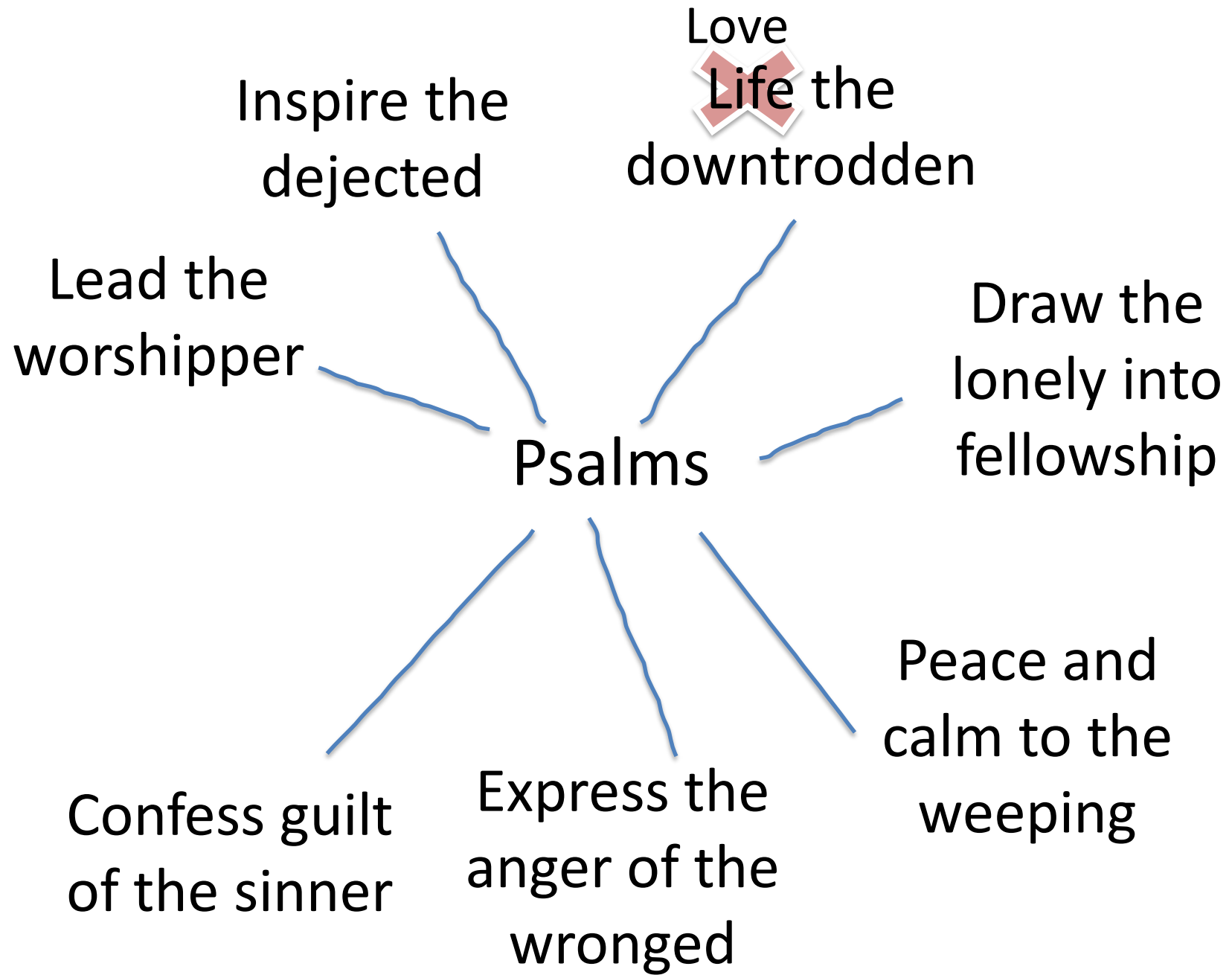


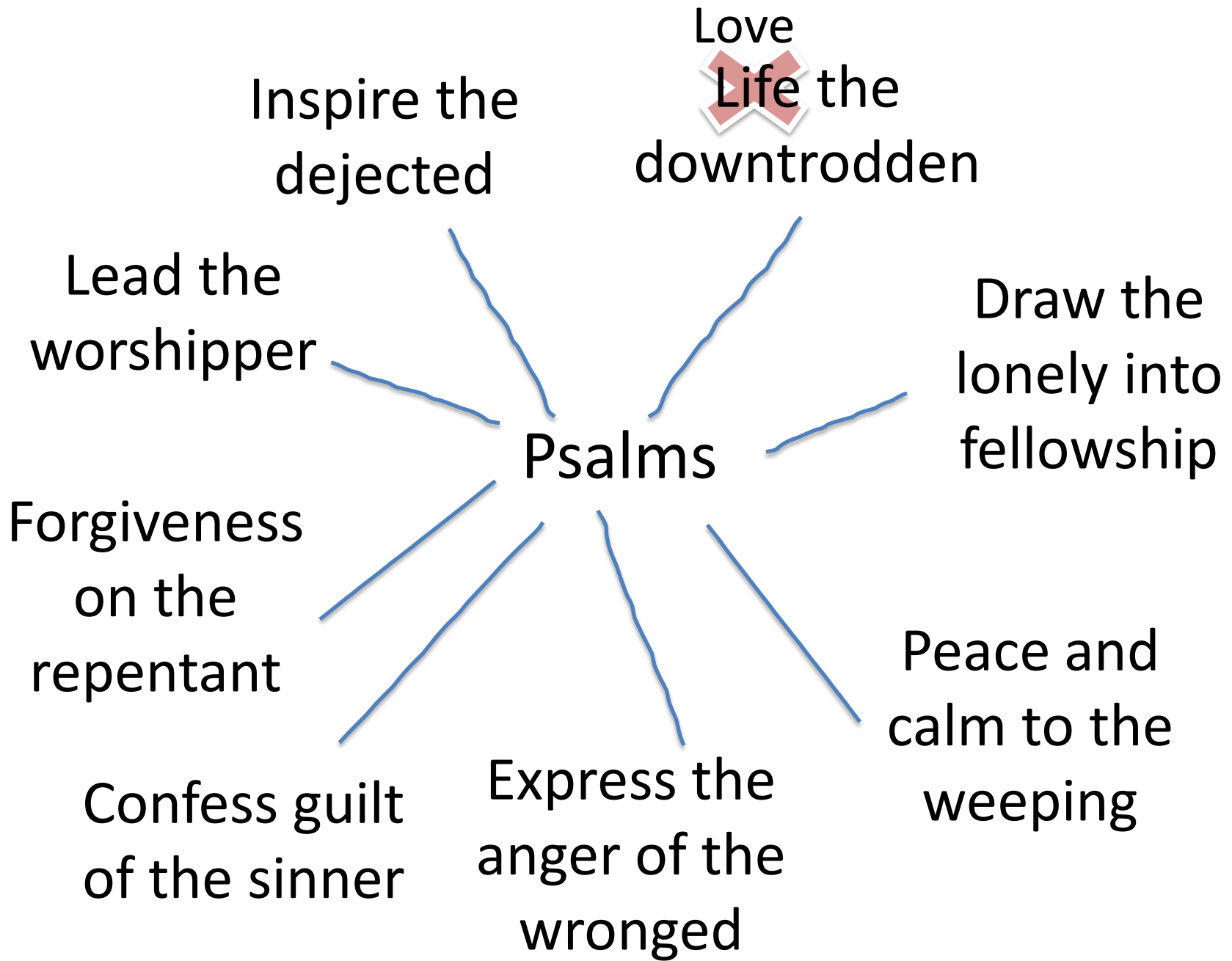


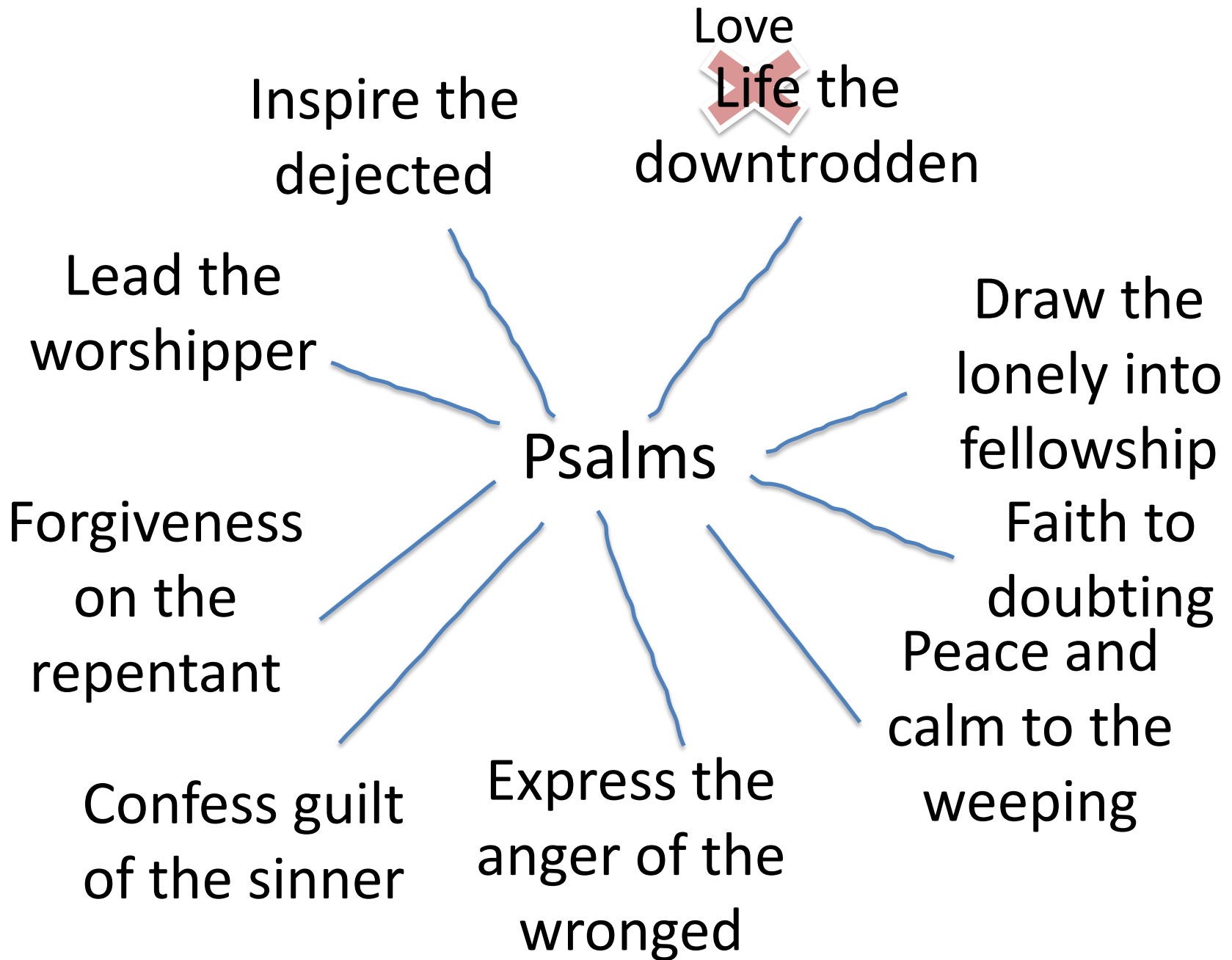


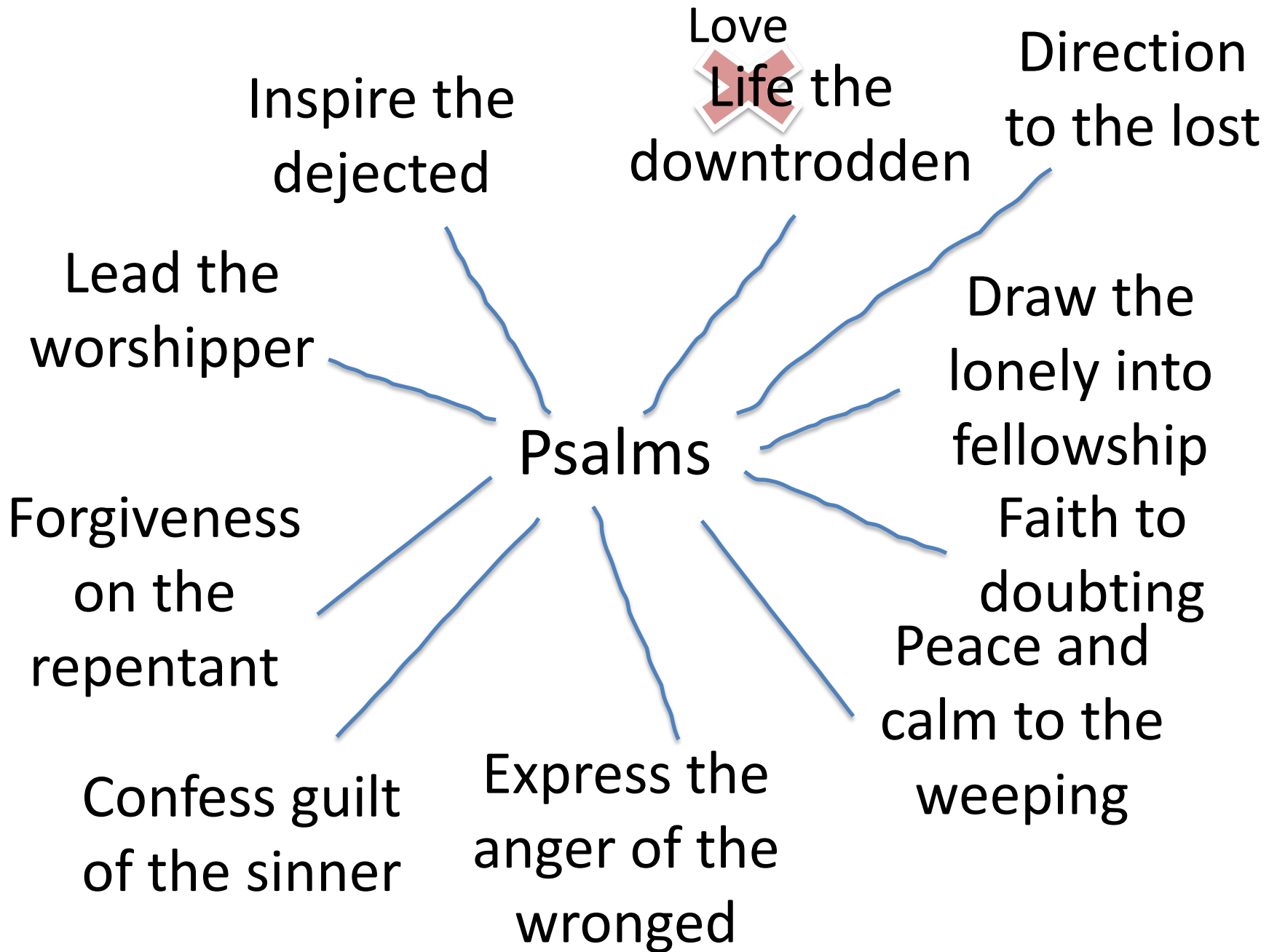












Poems

Form



Hebrew Poems

Chiasm

Parallelism

Word play



Puns

Alliteration

But not rhymes

Poems

Hebrew Poems

Form



Parallelism

Psalm 104:33

1 I will sing

Psalm 104:33

1 I will sing

1 I will sing praises

Psalm 104:33

1 I will sing

1 I will sing praises

2 to Yahweh

Psalm 104:33

1 I will sing

1 I will sing praises

2 to Yahweh

2 to my God

Psalm 104:33

1 I will sing

1 I will sing praises

2 to Yahweh

2 to my God

3 While I have life

Psalm 104:33

1 I will sing

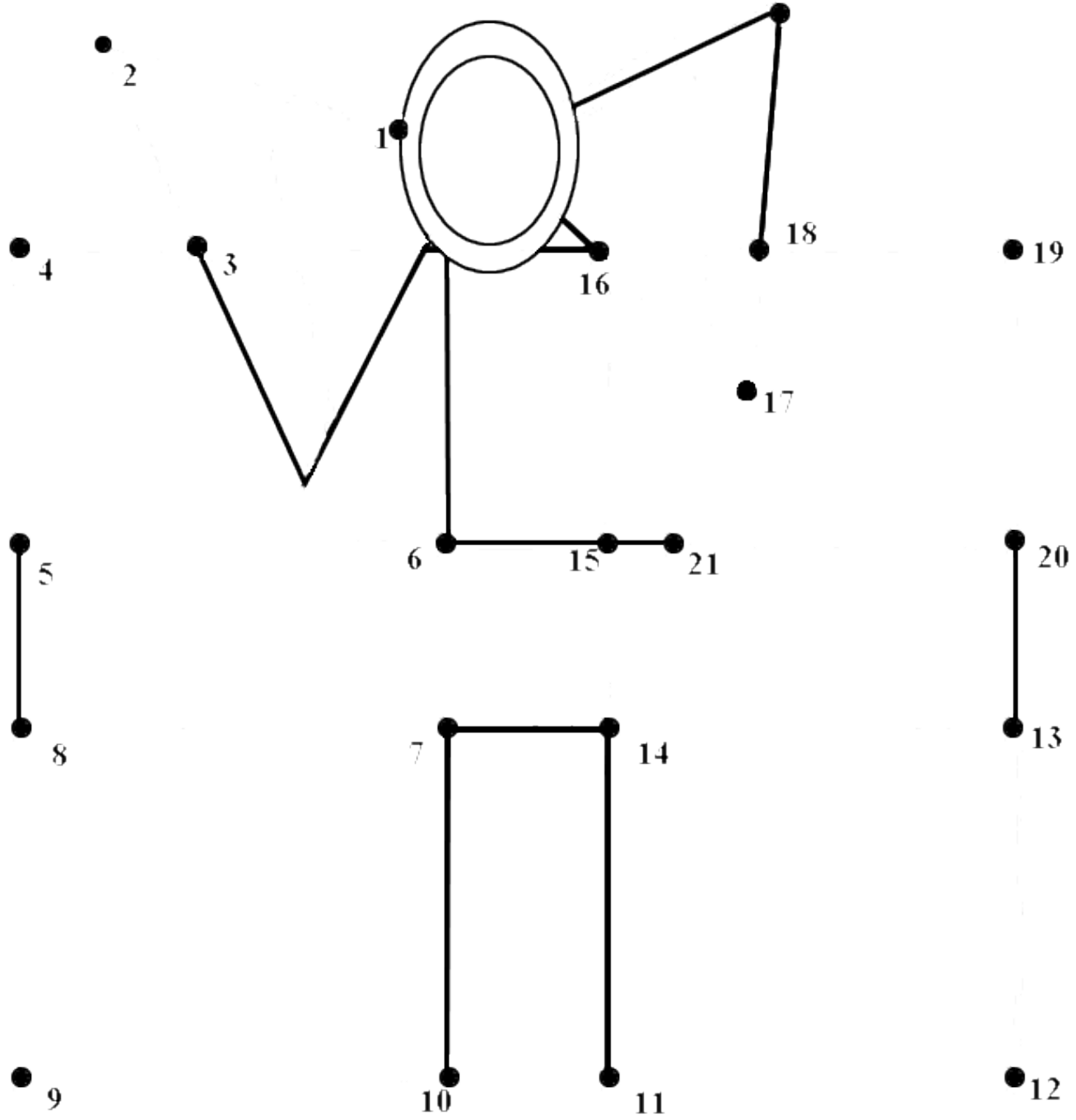
1 I will sing praises

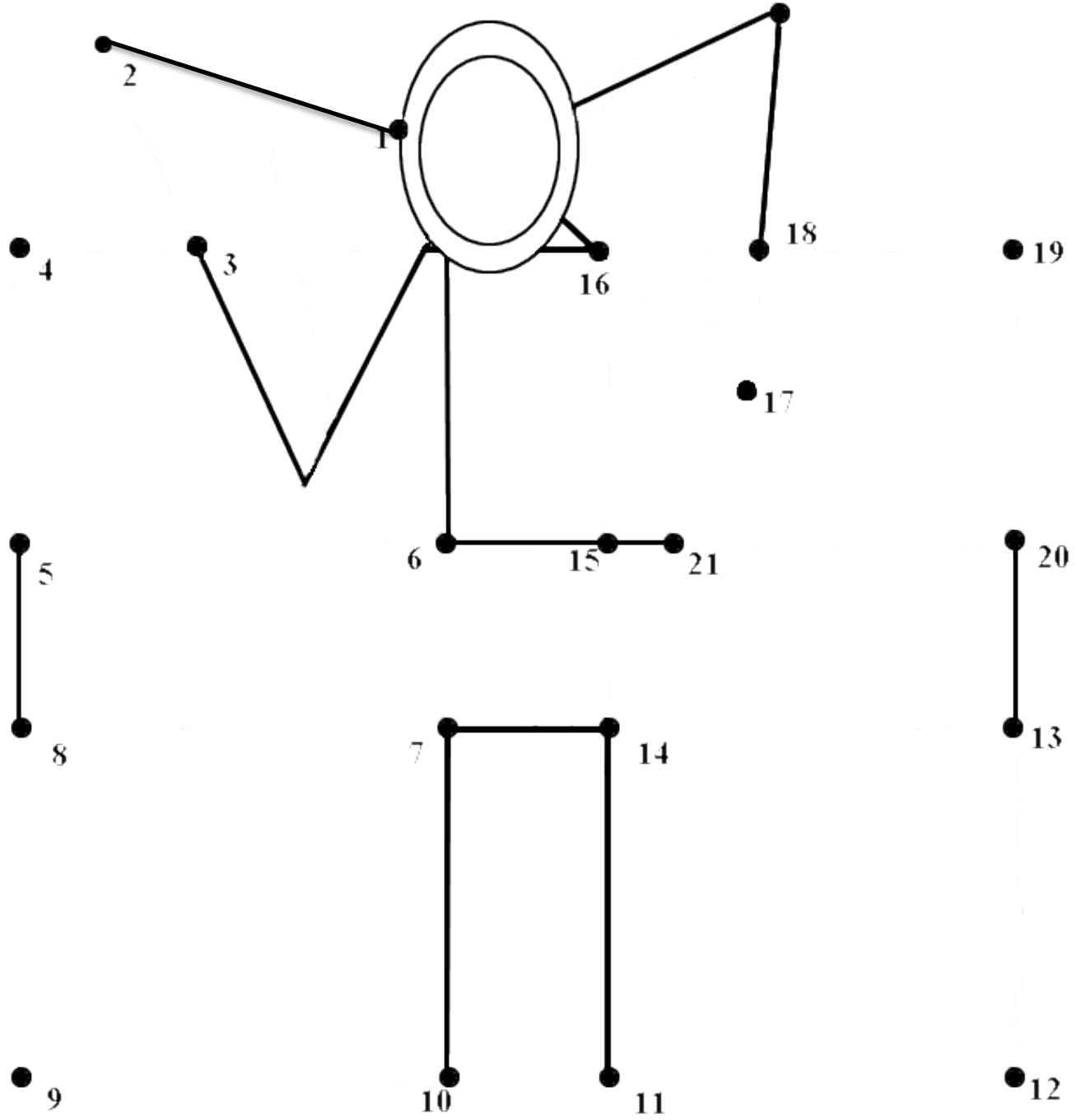
2 to Yahweh

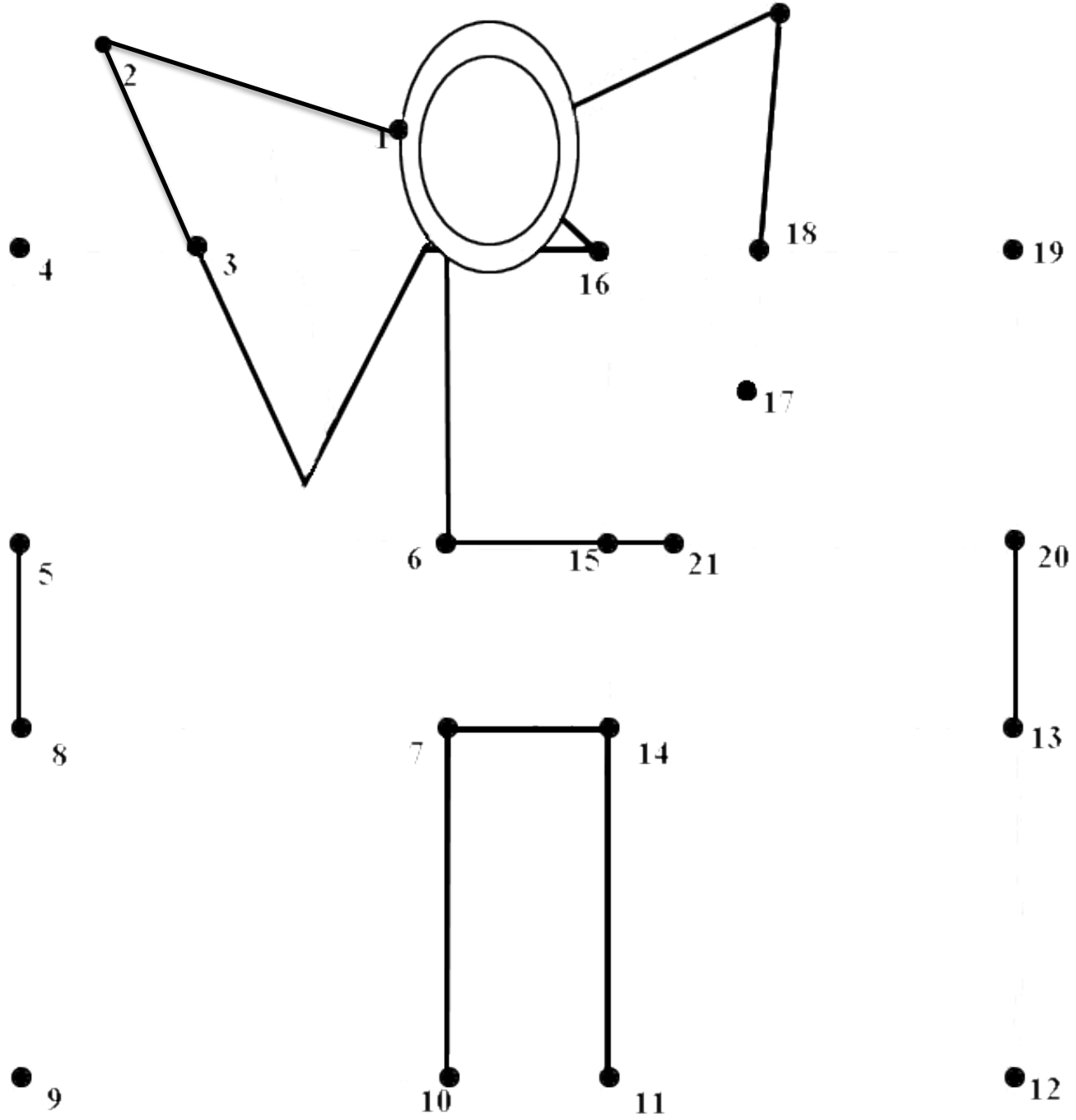
2 to my God

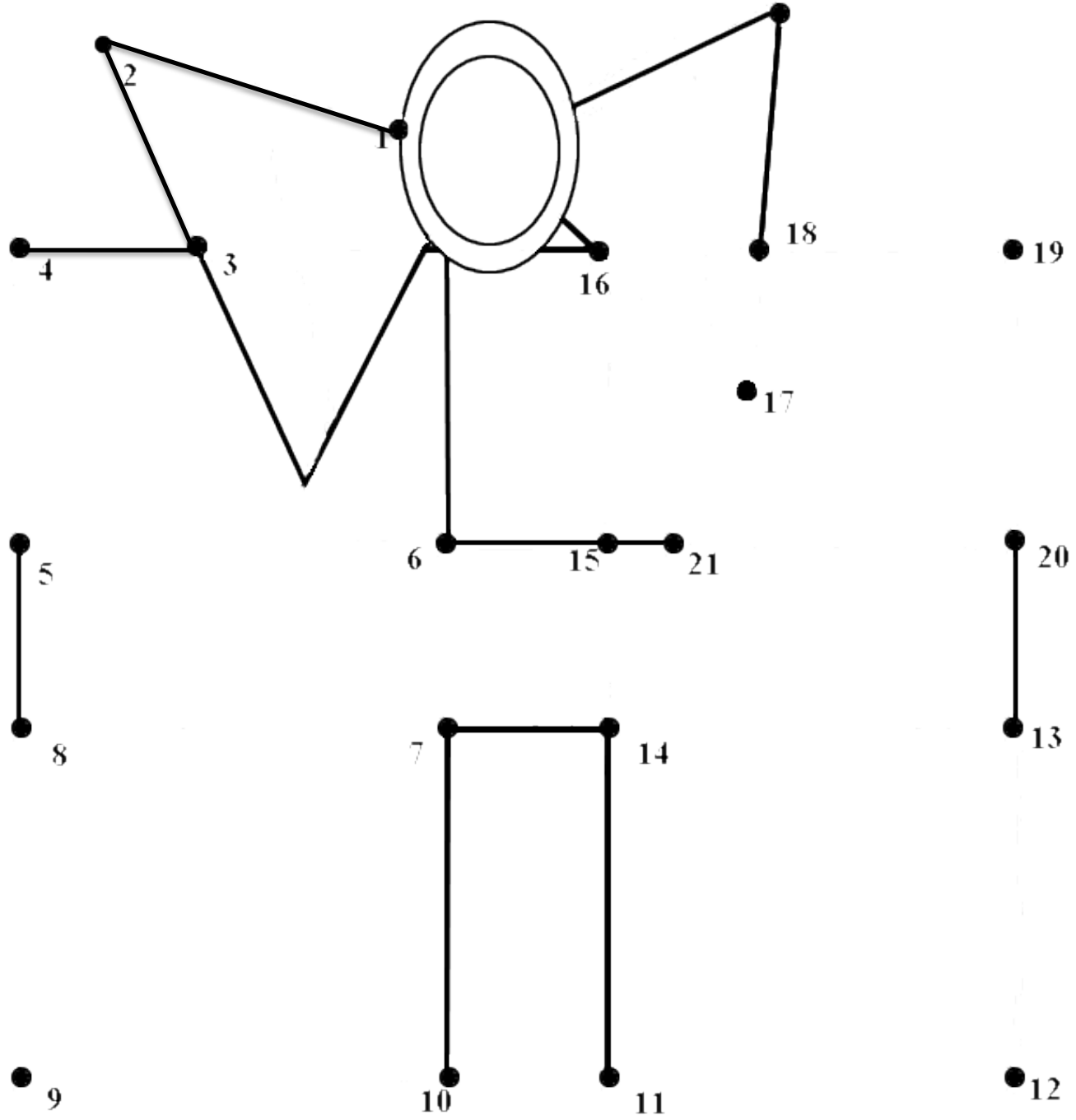
3 While I have life

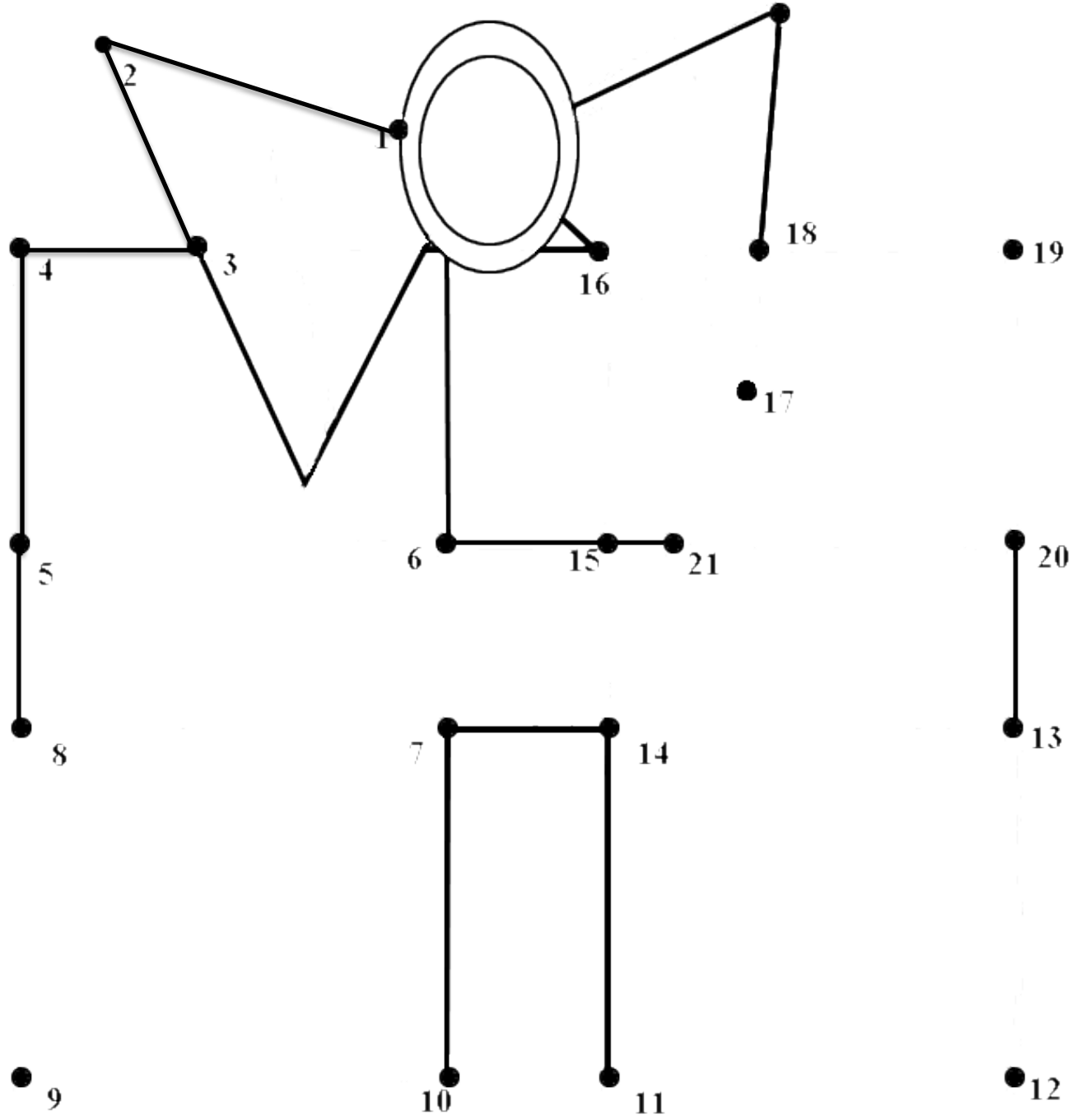
3 While I still am

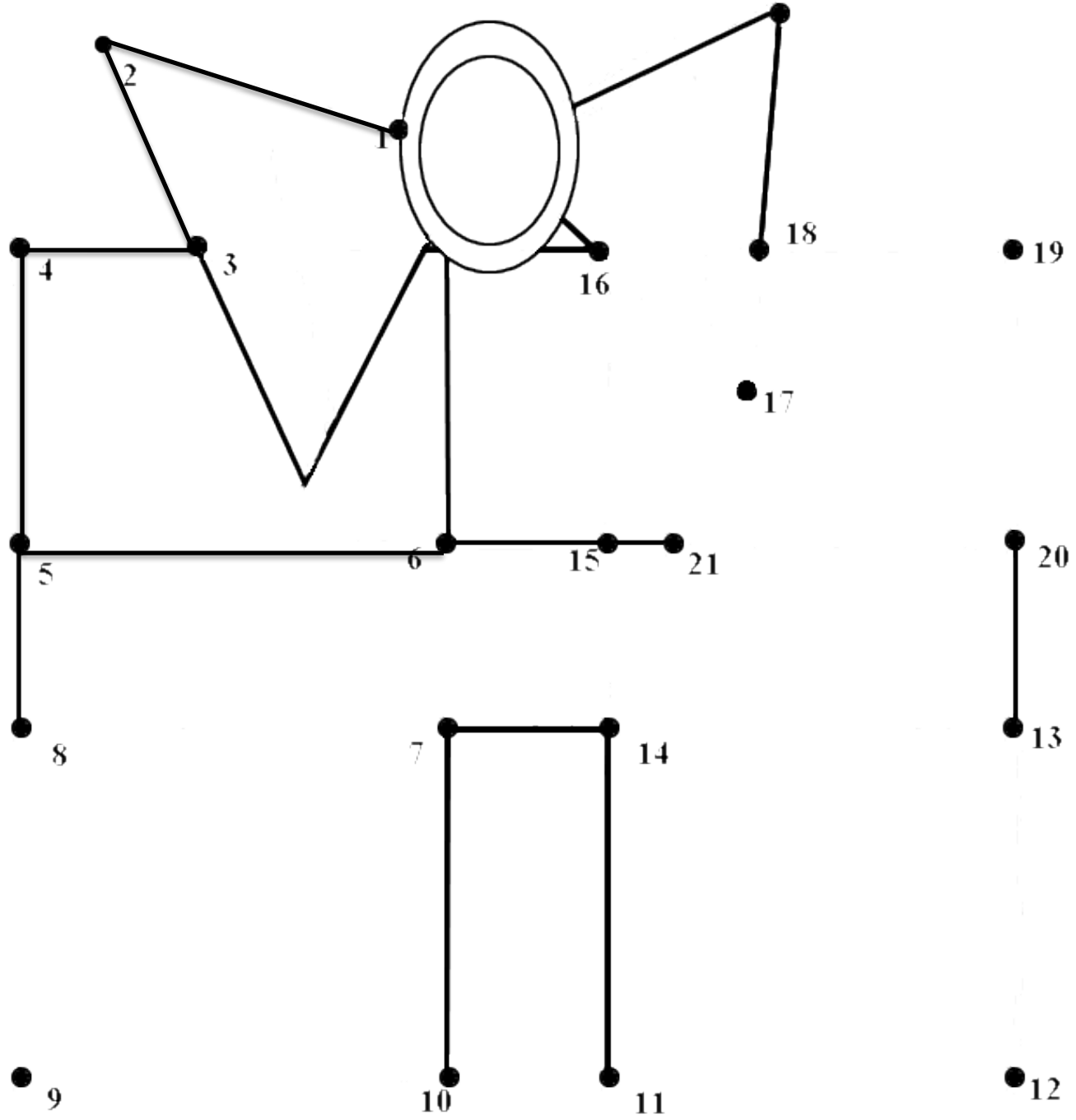


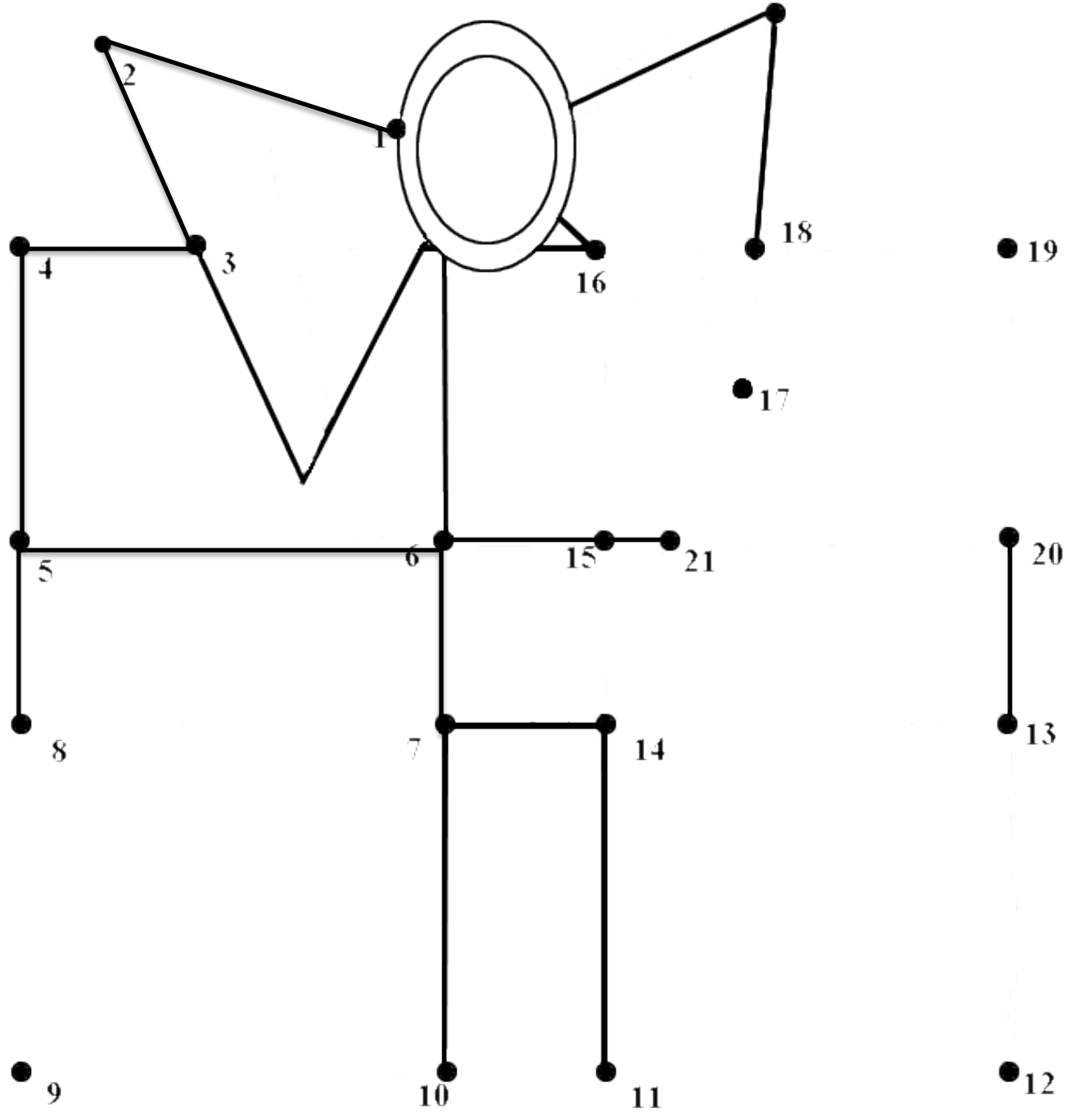


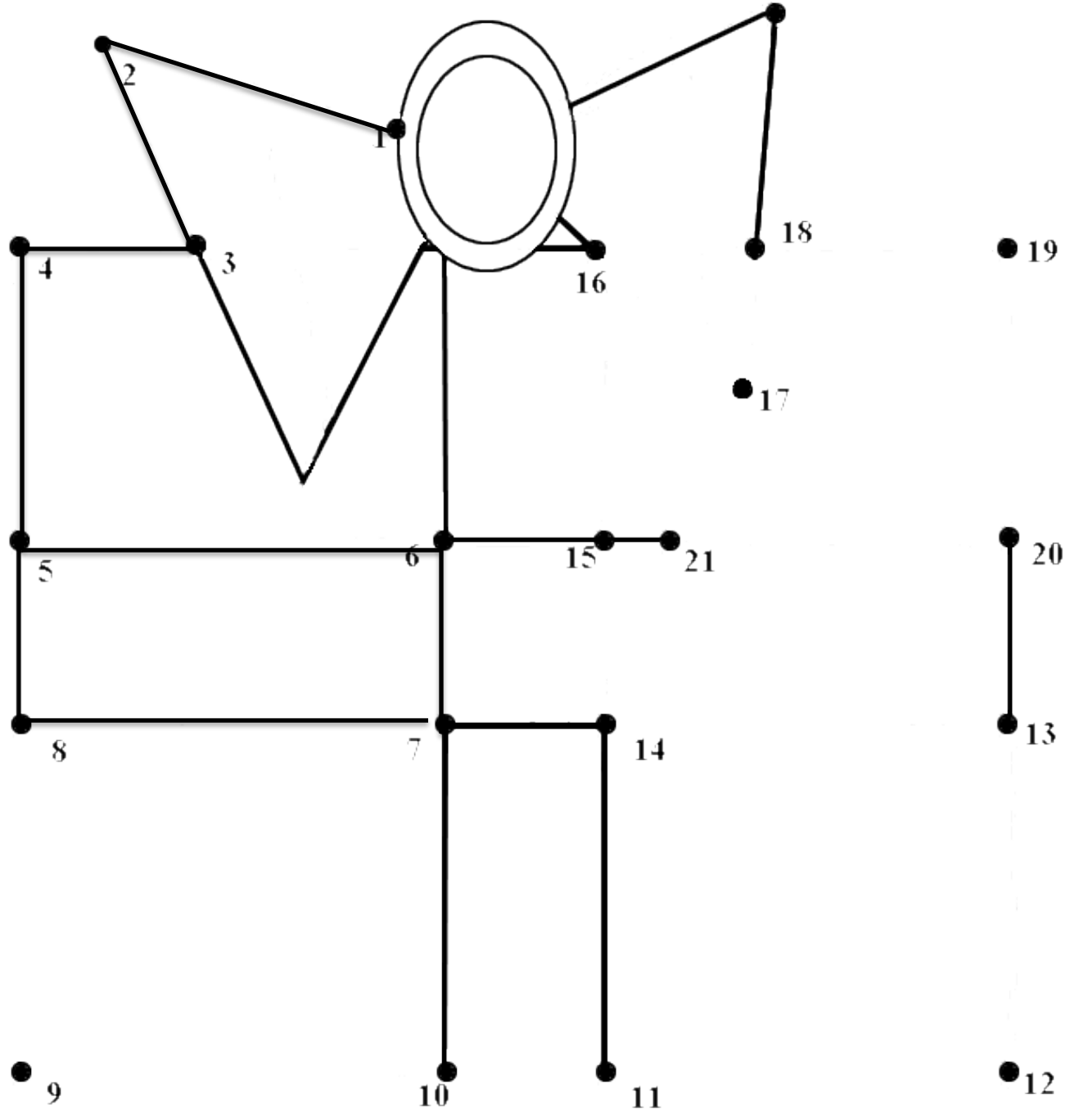


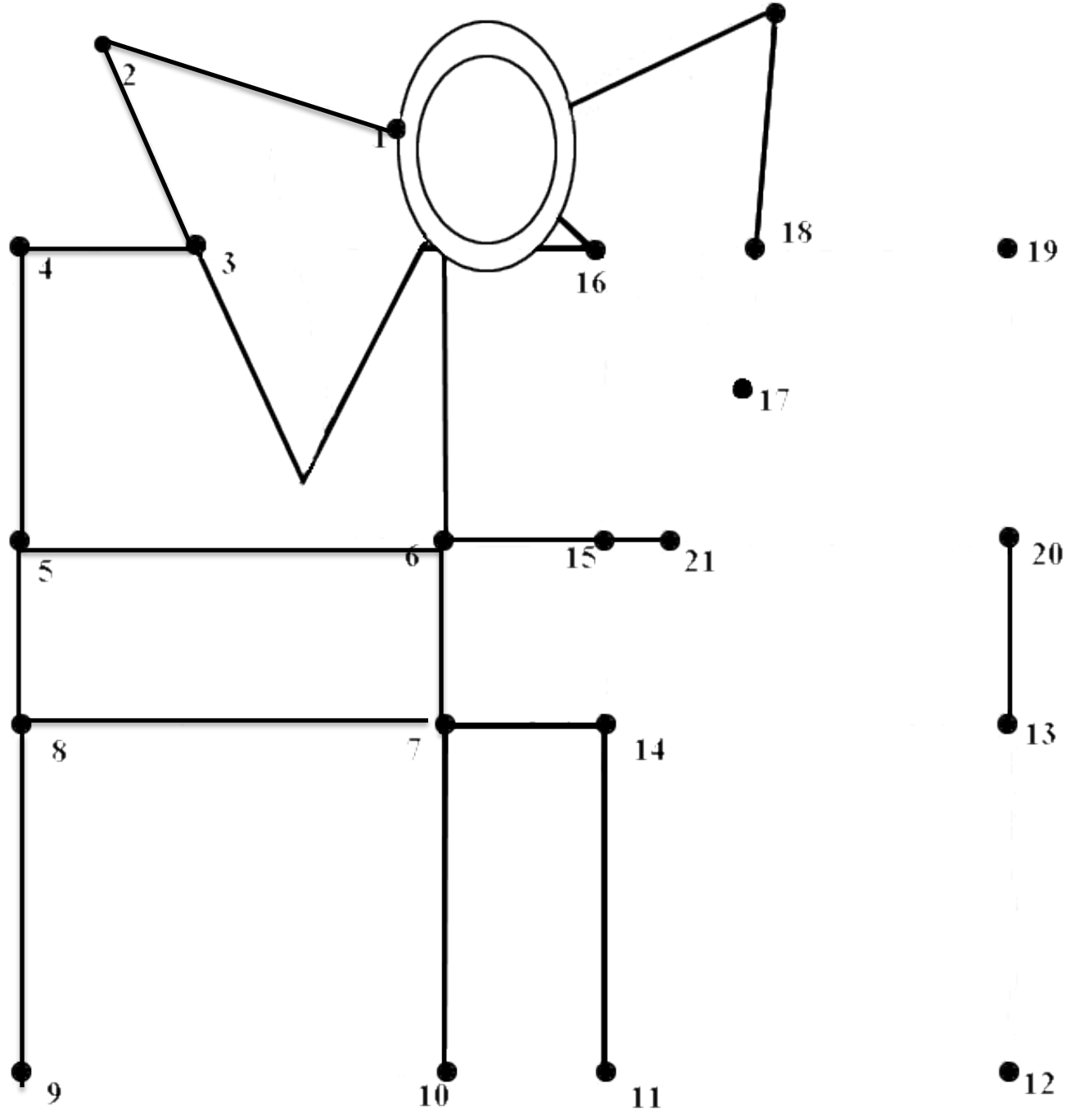


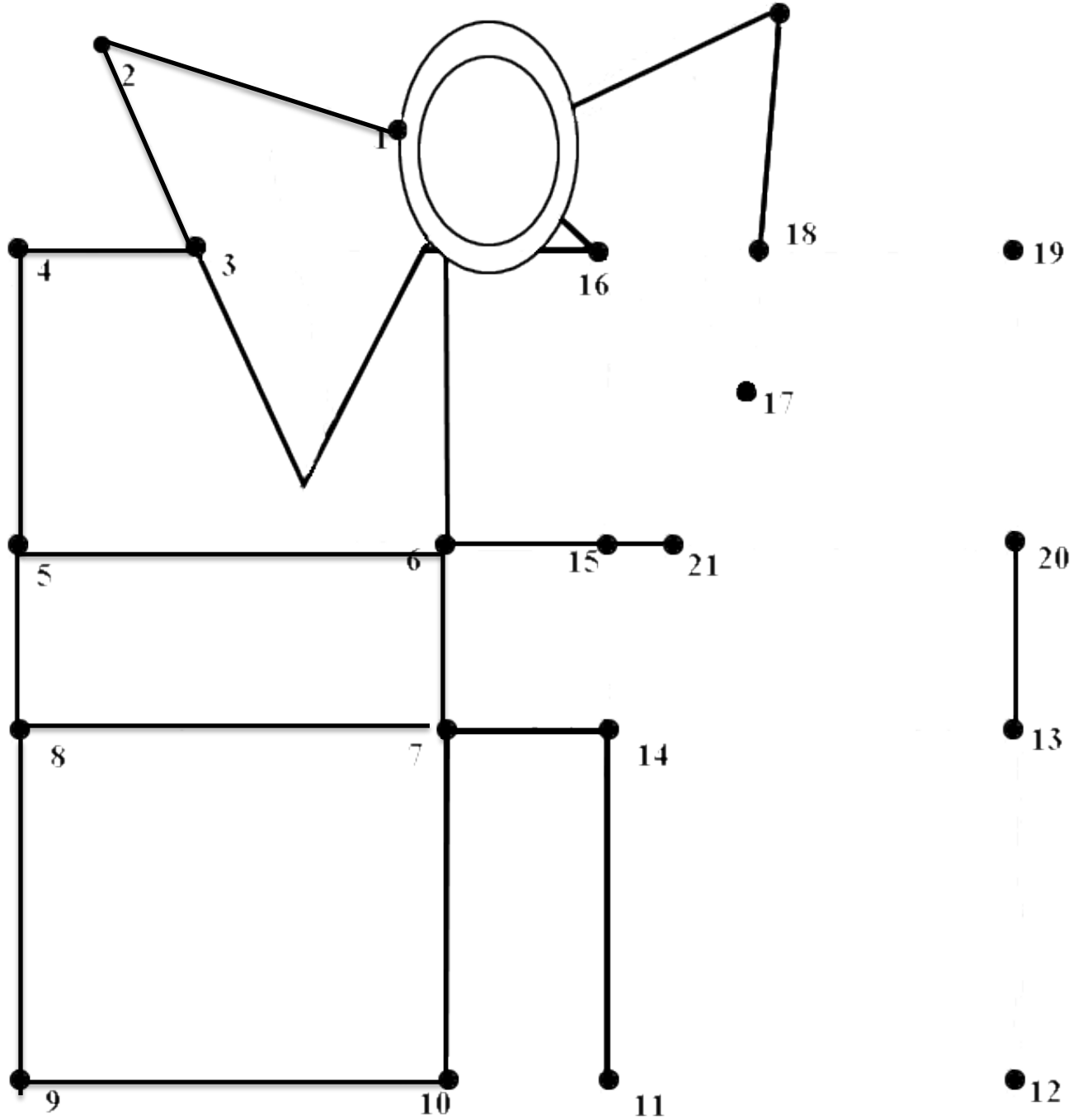


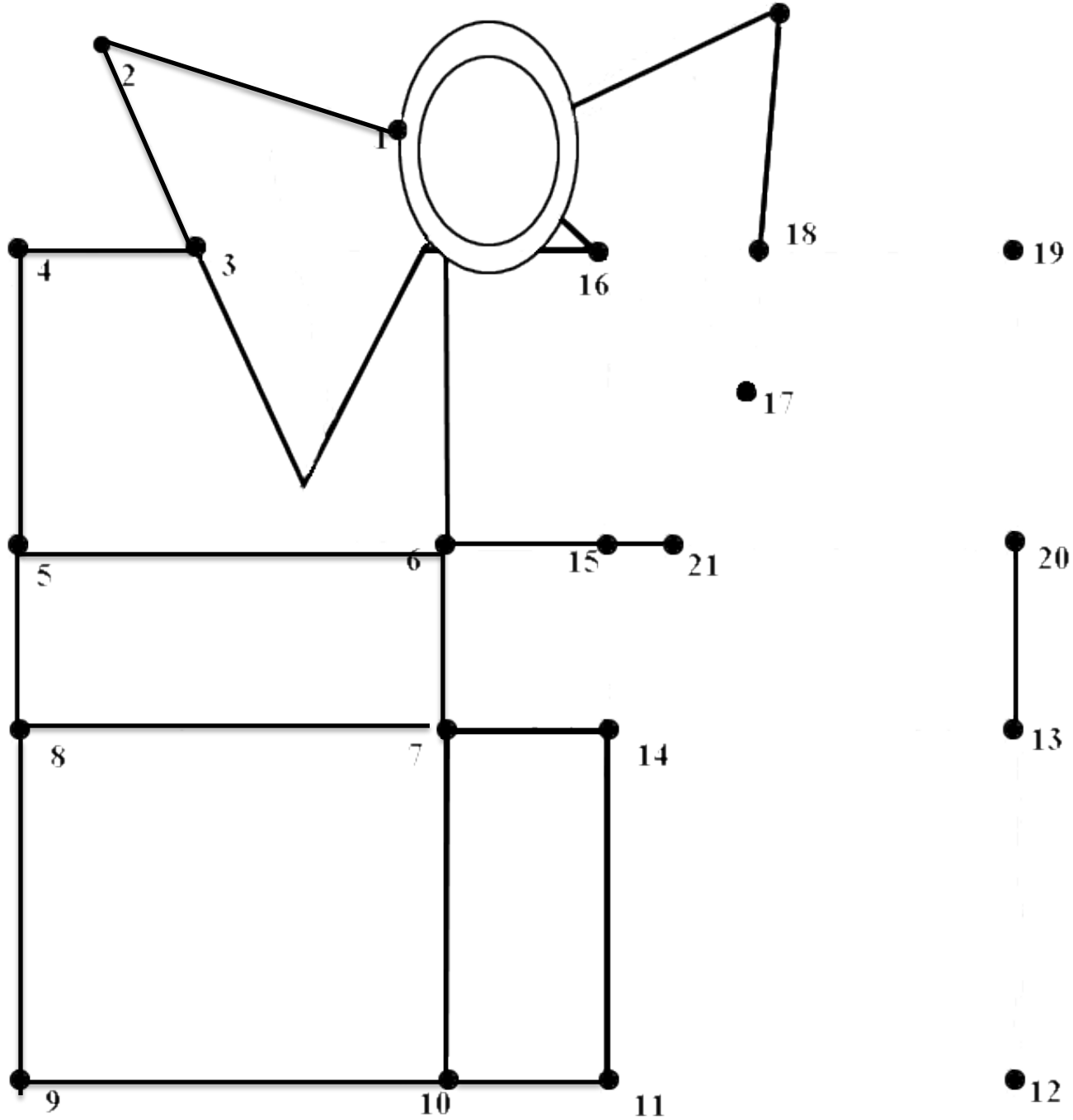


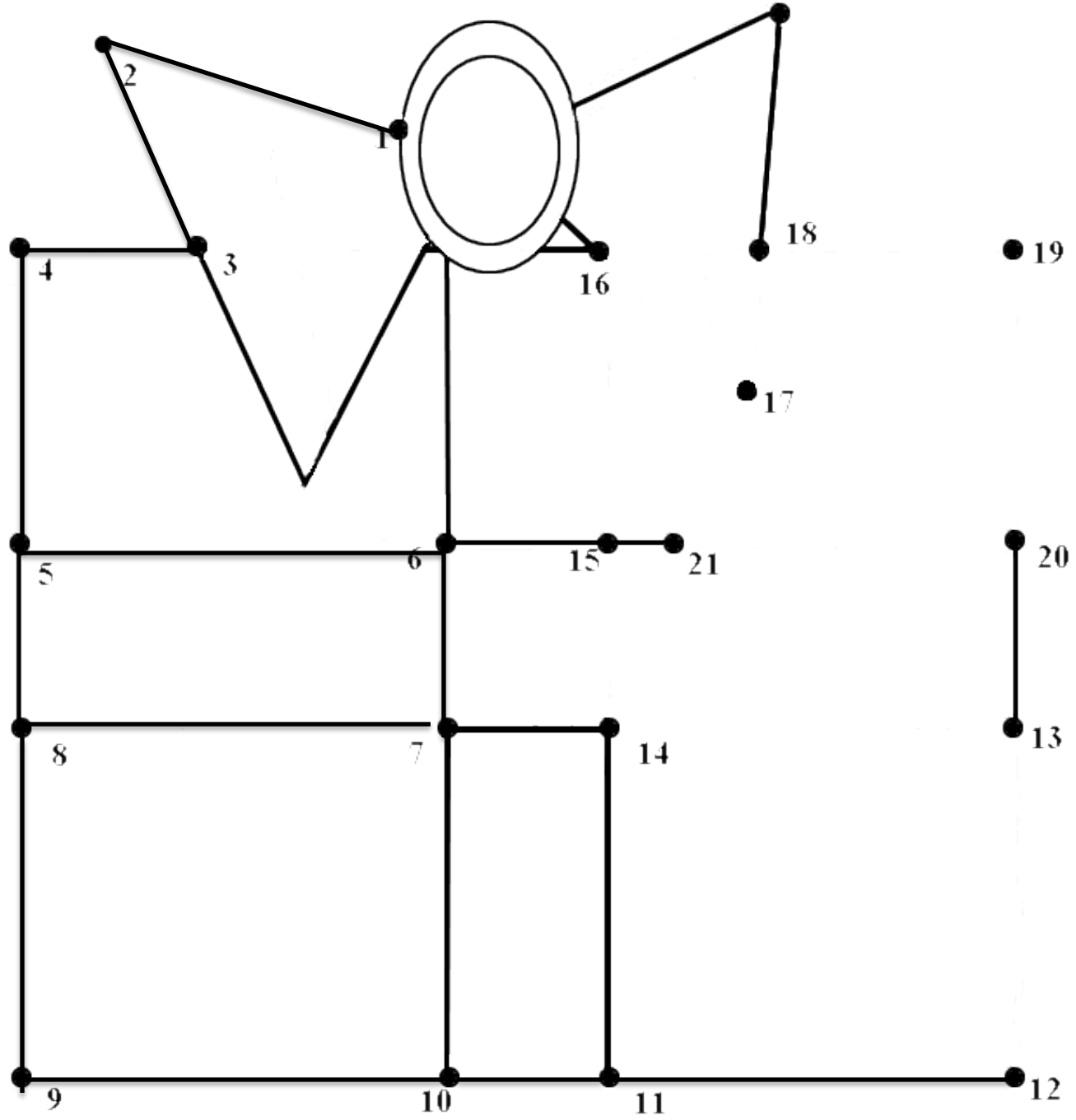


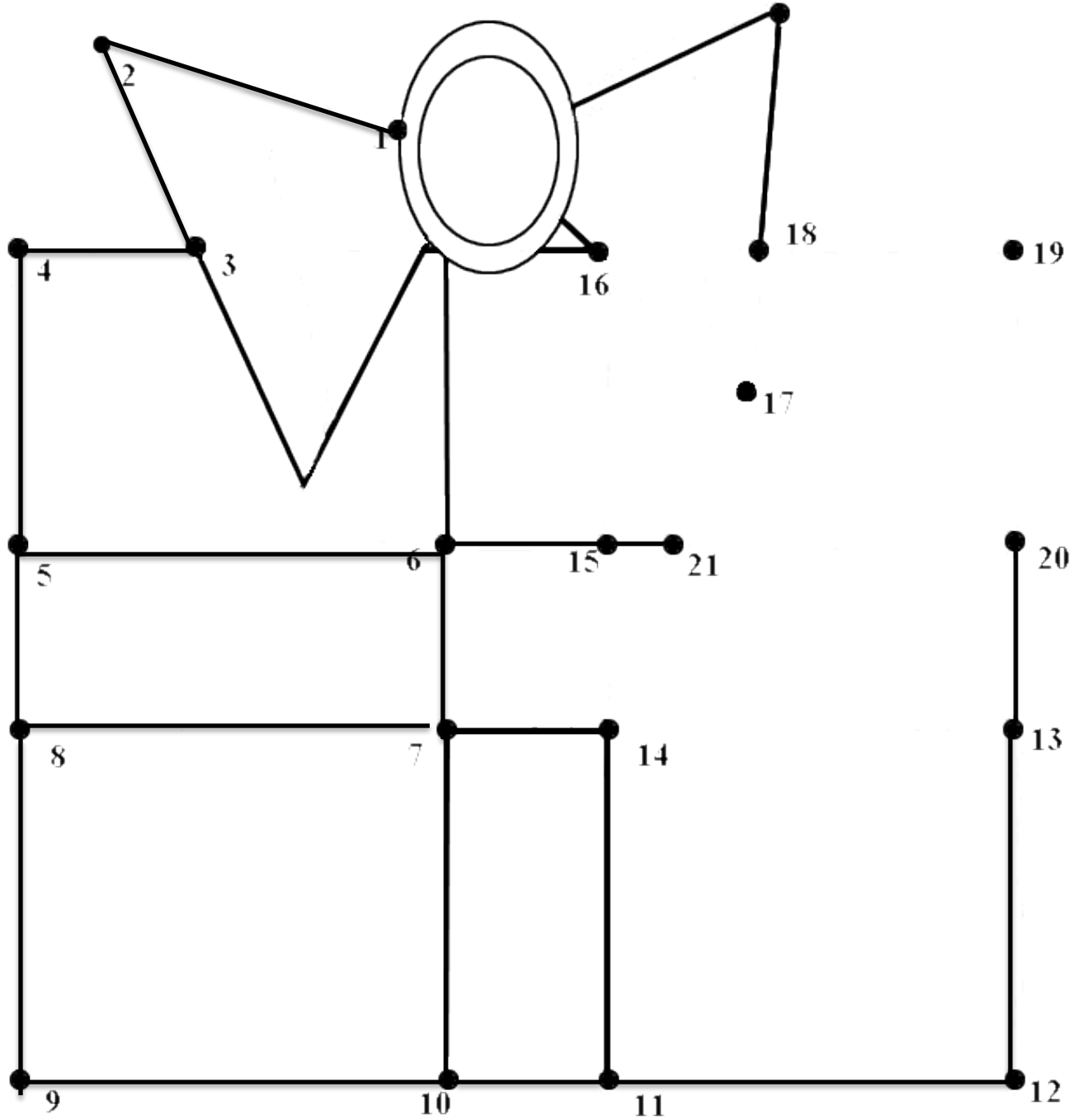


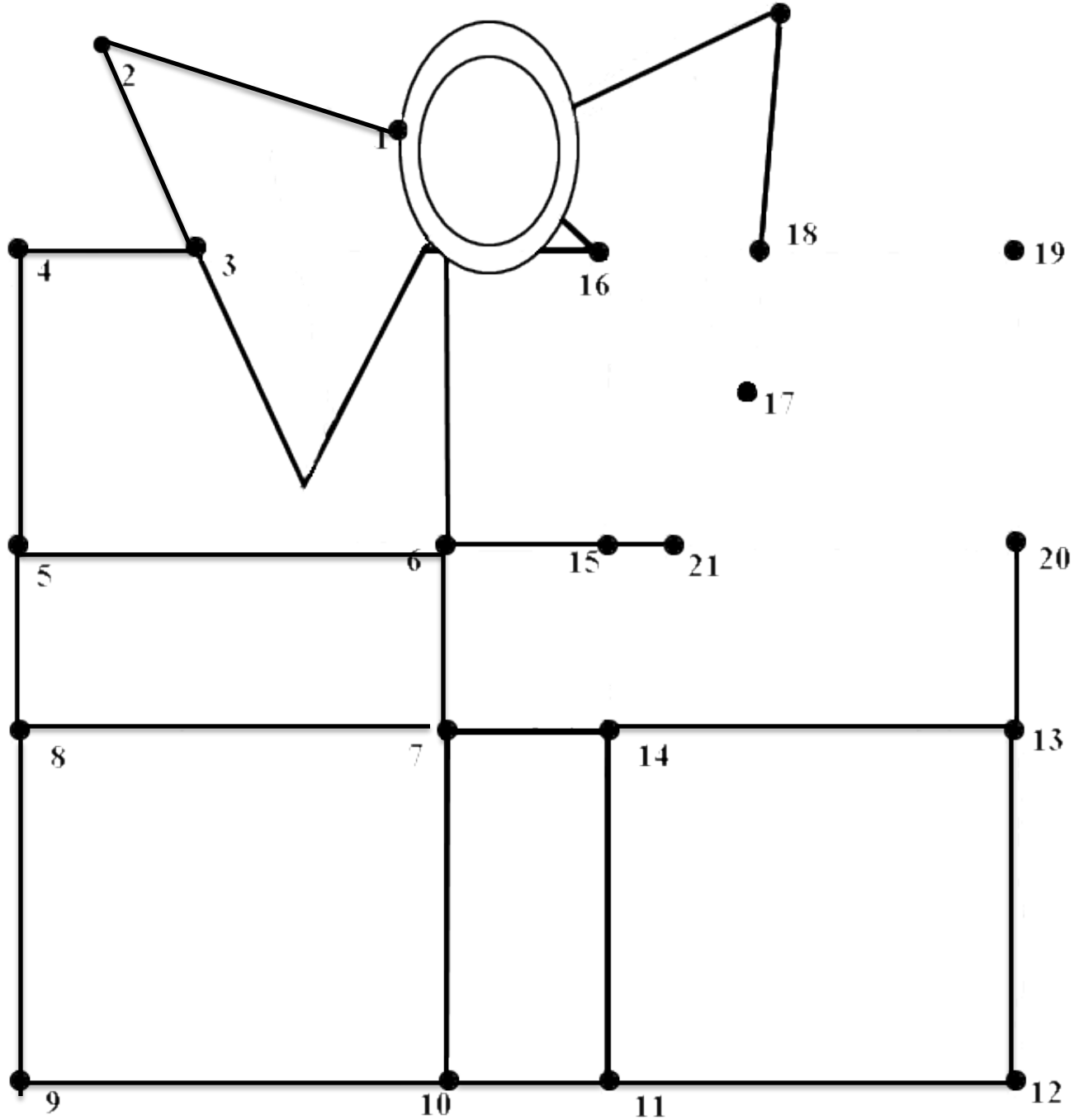


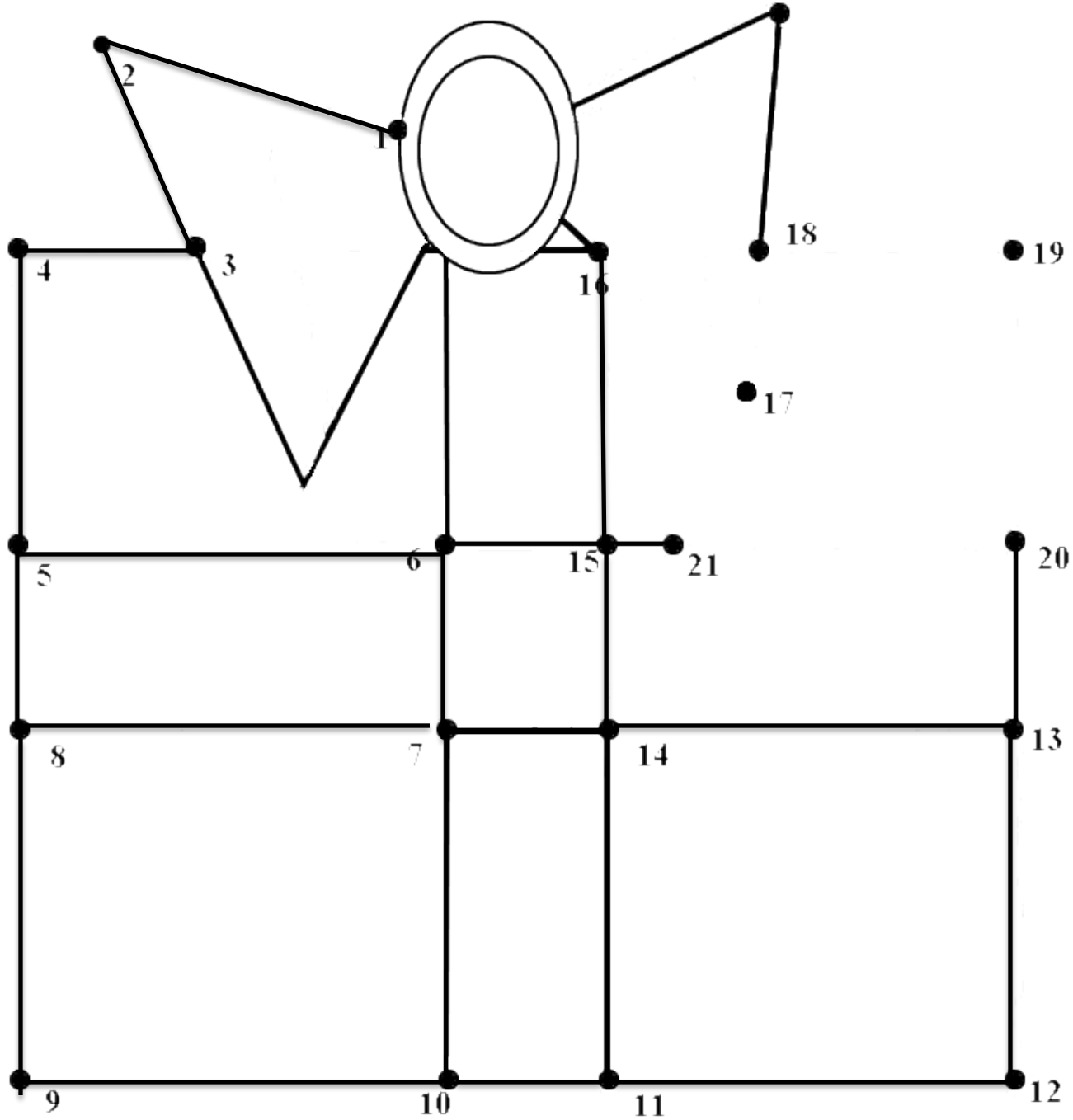


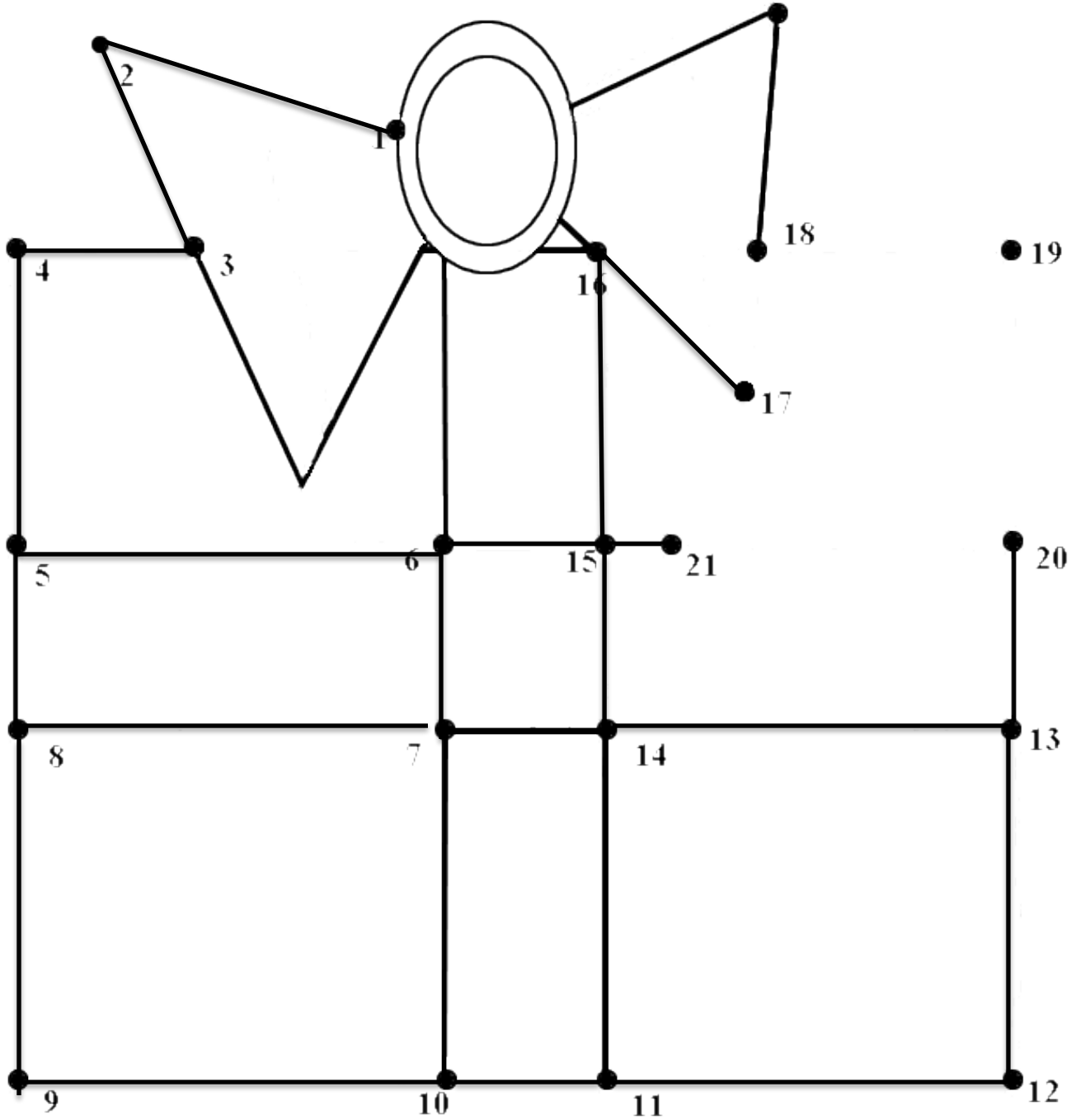


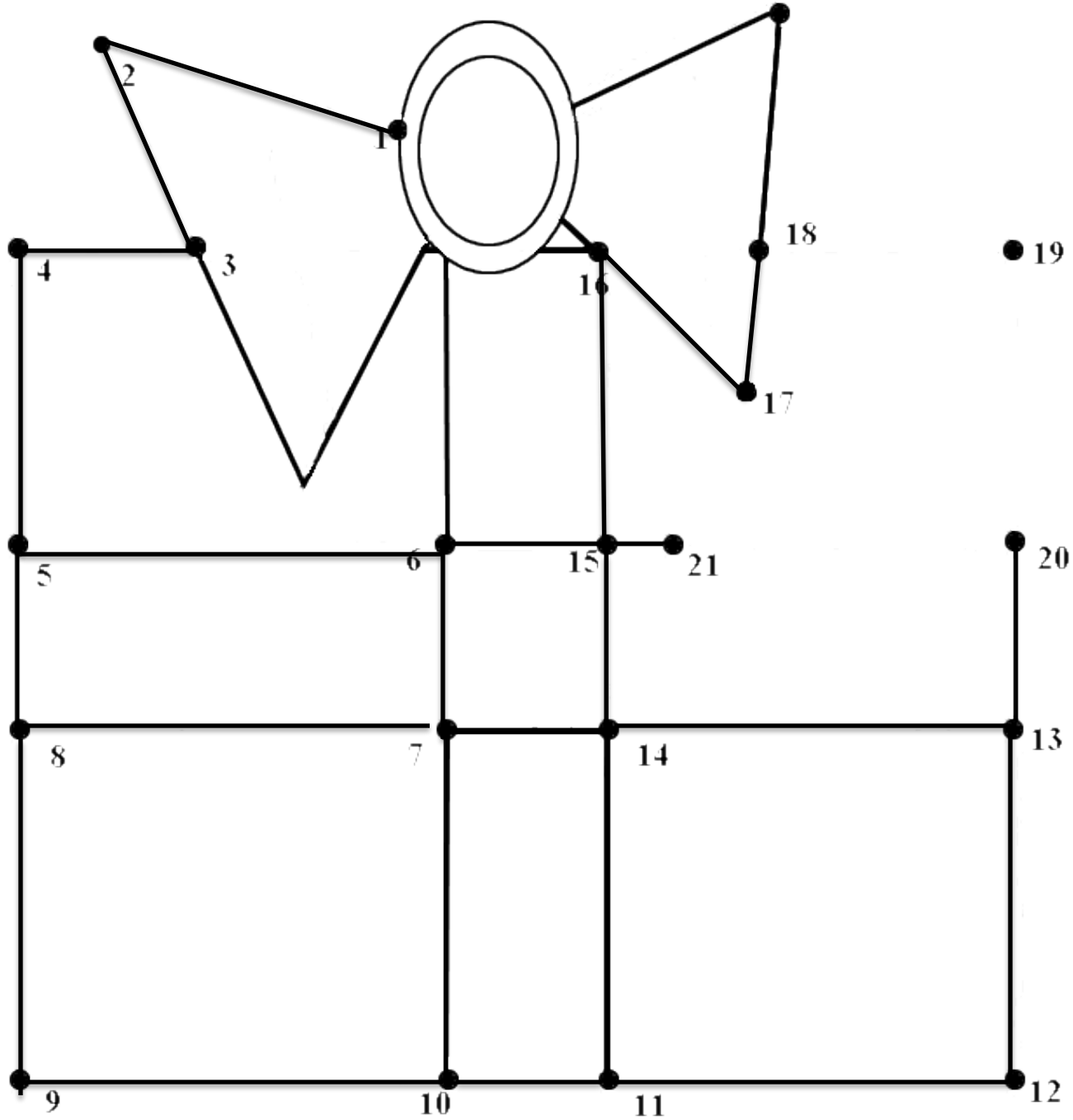


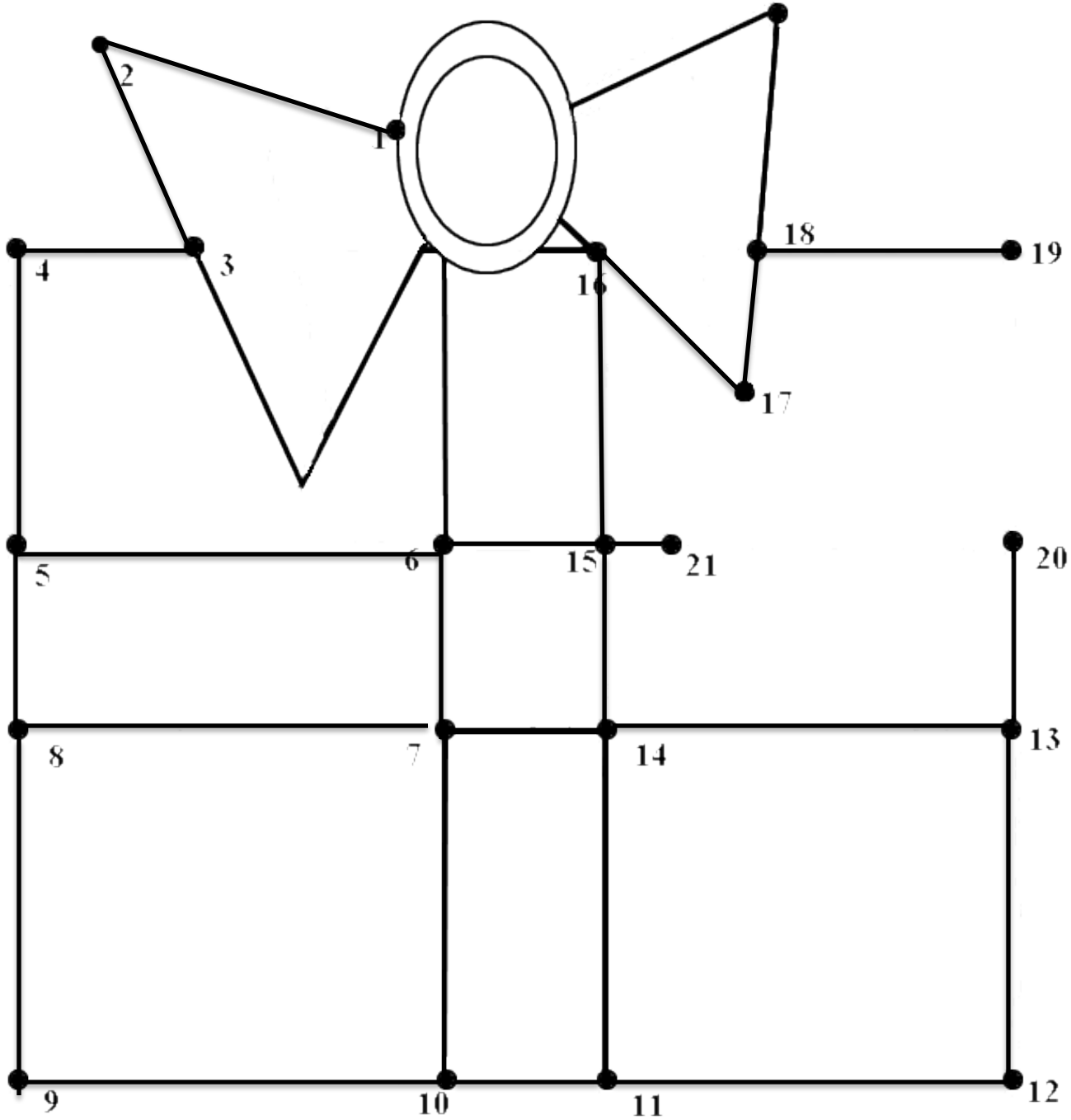


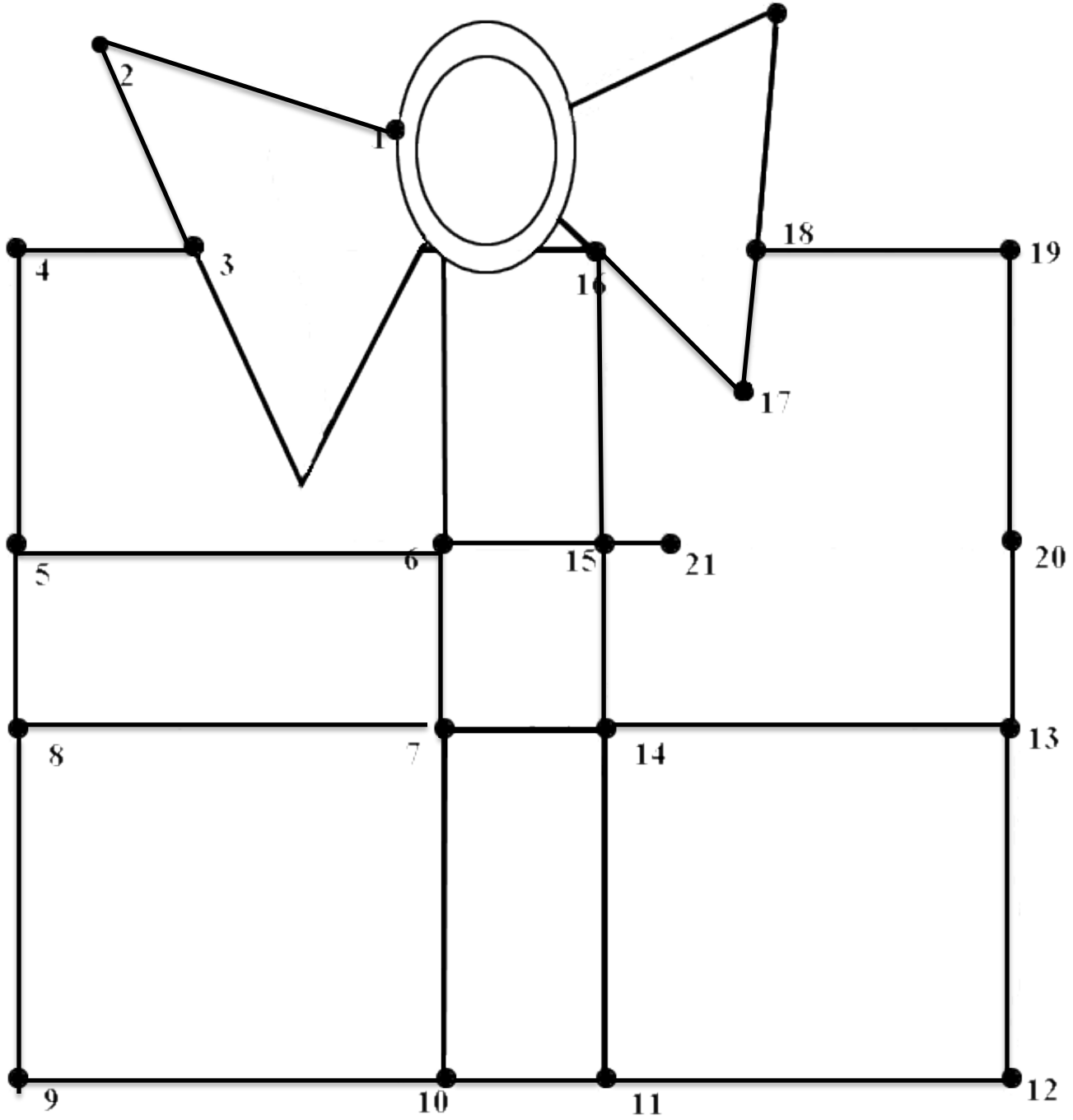


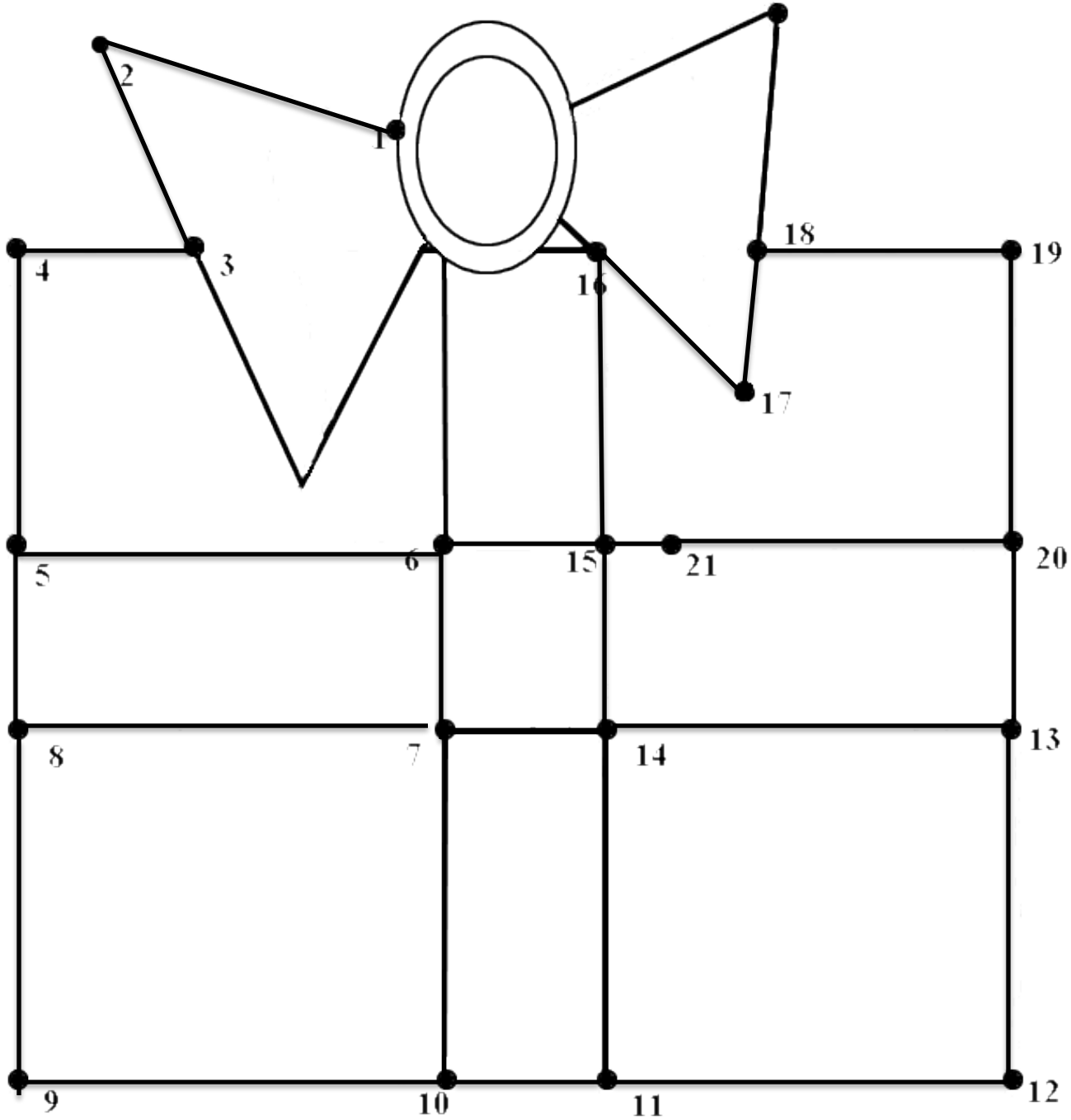












1 Ascribe to the LORD, Psalm 29:1-2

O heavenly beings,
Ascribe to the LORD
glory and strength.

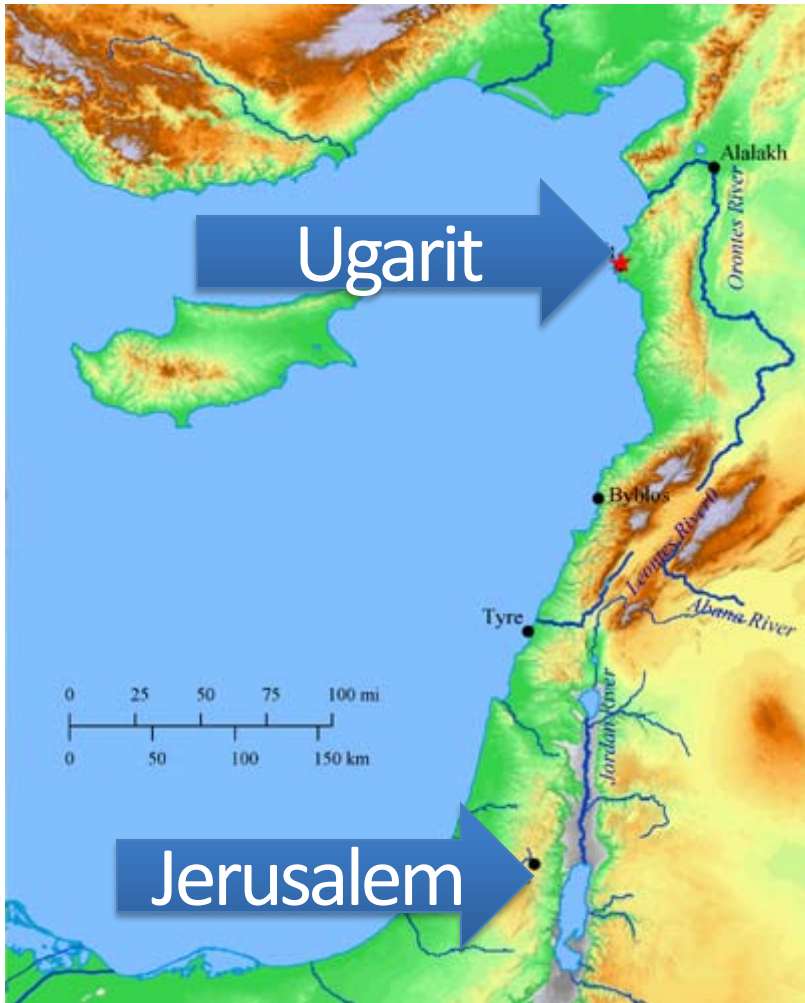
2 Ascribe to the LORD

the glory due his name;
Worship the LORD
in the splendor of holiness.

Think of Jacob wrestling with
the angel



Look at Psalm 18:25-26



Ugaritic tablets
from 1500BC
show the same
types of
parallelism in
poetry



*“I will sing to the LORD... I will sing
praise to my God”
(Ps. 104:33)*



Sing *to* God
Read Psalms out loud!

*“I will sing to the LORD... I will sing
praise to my God”*
(Ps. 104:33)



“The LORD says to me Lord: ‘Sit at my right hand until I make your enemies your footstool.’”

(Ps. 110:1)



Study the Psalms and
find God's work!

*“The LORD says to me Lord: ‘Sit at my
right hand until I make your enemies
your footstool.’”*

(Ps. 110:1)



*“With the merciful you show yourself
merciful; with the
blameless...blameless; with the
purified...pure; and with the
crooked...torturous”*

(Ps. 18:25-26)

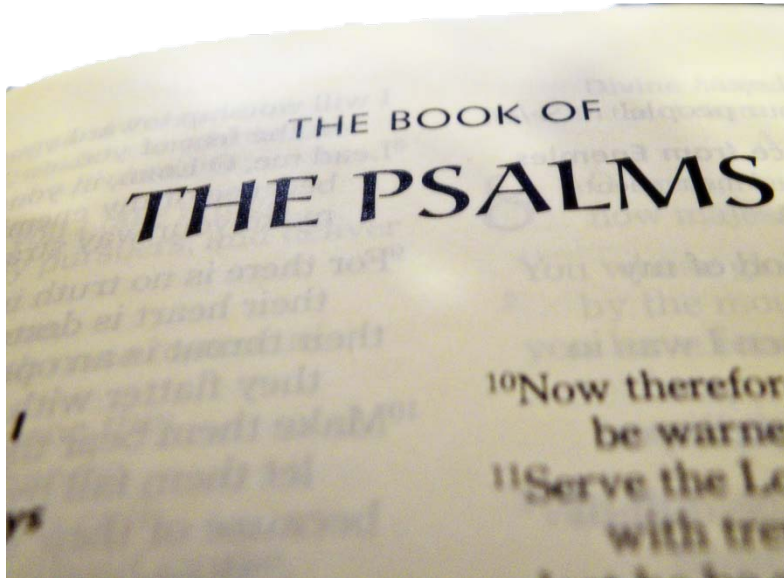


Live God's
character...see God's
character

*“With the merciful you show yourself
merciful; with the
blameless...blameless; with the
purified...pure; and with the
crooked...torturous”*

(Ps. 18:25-26)

Want More?



Email me what is wrong with my acrostic and why!
(wantmore@biblical-literacy.com)

Read the Psalms and jot “uses” for each